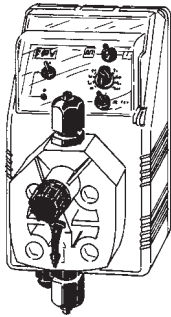


"F" series Metering Pumps

Data Sheet

Configuration Info



MODELS		
	self venting models	
CO	AO	"CO" Constant pump with stroke speed (frequency) adjustment and stroke length adjustment
CL	AL	"CL" Constant pump with level control, stroke speed (frequency) adjustment and stroke length adjustment
IC	AC	"IC" Constant-proportional pump driven by current signal (0 / 4mA = 0 pulses; 20mA = max pulses) and level control
IS	AS	"IS" Constant-proportional pump driven by external digital signal, with level control: to each external pulse correspond one pump stroke
PV	AV	"PV" Constant-proportional pump driven by external digital signal, with pulse divider mode (ratio 1 to 1000) and level control
MV	AM	"PVM" Constant-proportional pump driven by external digital signal, level control, with pulse divider mode (ratio 1 to 1000) and multiplier mode (ratio 1 to 10)
TE	AE	"TE" (0"-60") timered pump with external digital start signal and level control
DR	AR	"PDR" Metering pump with adjustable operation and stand-by timers, stroke speed adjustment

CAPACITIES		
121.5	0.40 GPH (1.5 l/h) against 174 PSI (12 bar)	Tubing: 1/4"
102.2	0.58 GPH (2.2 l/h) against 145 PSI (10 bar)	Tubing: 1/4"
0703	0.79 GPH (3 l/h) against 102 PSI (7 bar)	Tubing: 1/4"
0705	1.32 GPH (5 l/h) against 102 PSI (7 bar)	Tubing: 1/4"
0505	1.32 GPH (5 l/h) against 73 PSI (5 bar)	Tubing: 1/4"
0606	1.59 GPH (6 l/h) against 87 PSI (6 bar)	Tubing: 1/4"
0507	1.85 GPH (7 l/h) against 73 PSI (5 bar)	Tubing: 1/4"
036.5	1.72 GPH (6.5 l/h) against 44 PSI (3 bar)	Tubing: 1/4"
038.5	2.25 GPH (8.5 l/h) against 44 PSI (3 bar)	Tubing: 1/4"
1005	1.32 GPH (5 l/h) against 145 PSI (10 bar)	Tubing: 1/4"
0510	2.64 GPH (10 l/h) against 73 PSI (5 bar)	Tubing: 1/4"
0311	2.91 GPH (11 l/h) against 44 PSI (3 bar)	Tubing: 1/4"
050.2	0.05 GPH (0.2 l/h) against 73 PSI (5 bar)	Tubing: 1/4"
CAPACITIES self-venting metering pumps		
103.2	0.85 GPH (3.2 l/h) against 145 PSI (10 bar)	Tubing: 1/4"
100.6	0.16 GPH (0.6 l/h) against 145 PSI (10 bar)	Tubing: 1/4"
071.5	0.40 GPH (1.5 l/h) against 102 PSI (7 bar)	Tubing: 1/4"
053.2	0.85 GPH (3.2 l/h) against 73 PSI (5 bar)	Tubing: 1/4"
036.5	1.71 GPH (6.5 l/h) against 44 PSI (3 bar)	Tubing: 1/4"
034.7	1.24 GPH (4.7 l/h) against 44 PSI (3 bar)	Tubing: 1/4"

Model F **CO** **121.5** **V** **00** **00**

POWER SUPPLY	
03	115 VAC US plug
00	230 VAC Schuko plug
01	230 VAC without plug
04	24 VAC without plug
05	12 VDC *
07	24 VDC

* Confirm capacity availability at 12 VDC with EMEC staff.

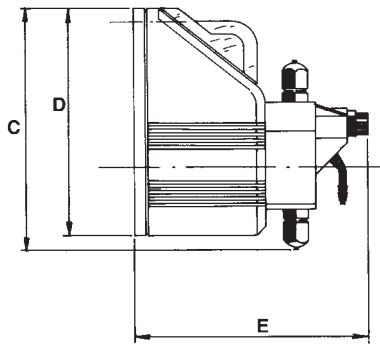
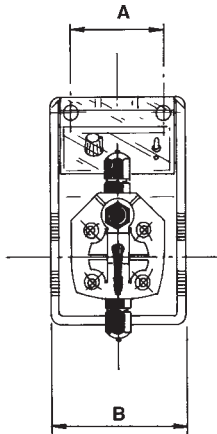
LIQUID ENDS								
	Head	Orings	Valve		Diaphragm	Tubing		Viscosity Max CPS
			Body	Balls		Delivery	Suction	
V	Polypropylene	Viton®	Polypropylene	Ceramic	PTFE	Polyethylene	PVC	50
D	Polypropylene	Ethylene Propylene	Polypropylene	Ceramic	PTFE	Polyethylene	PVC	50
W	Polypropylene	Nytrile	Polypropylene	Ceramic	PTFE	Polyethylene	PVC	50
T	Polypropylene	Viton®+PTFE	Polypropylene	Ceramic	PTFE	Polyethylene	PVC	50
S	Polypropylene	Silicone	Polypropylene	Ceramic	PTFE	PVDF	PVDF	50
A	Acrylic	Viton®	Polypropylene	Ceramic	PTFE	Polyethylene	PVC	50
K	PVDF	Viton®	PVDF	Ceramic	PTFE	PVDF	PVDF	50
P	PVDF	EPDM	PVDF	Ceramic	PTFE	PVDF	PVDF	50

Viton® is a registered trademark of DuPont Dow Elastomers.

"F" series Metering Pumps

Data Sheet

SPECIFICATIONS						
	Strokes per Minute		Average Input Power at max speed	Shipping weight		
	Min	Max				
121.5	15	150	16 Watt	4.85 Lbs (2.2 Kg)		
102.2	15	150				
0703	15	150				
0705	15	150				
0505	15	150				
0606	15	150				
0507	15	150				
036.5	15	150				
038.5	15	150				
1005	15	150				
0510	15	150				
0311	15	150				
050.2	15	150				
<i>Self-venting models</i>						
103.2	15	150				
100.6	15	150				
071.5	15	150				
053.2	15	150				
036.5	15	150				
034.7	15	150				



DIMENSIONS		
	inch	mm
A	2.48	63
B	3.60	91.5
C	6.61	168
D	6.04	153.5
E	6.29	160

IP65 enclosure (NEMA4x)

The series "F" dosing pumps are manufactured in moulded glass filled Polypropylene housing to ensure protection against aggressive chemicals and tough environment.

OUTPUT INFORMATION								
	Gallons per Hour		Liters per Hour		mL/cc per Stroke		Maximum Injection Pressure	
	Min	Max	Min	Max	Min	Max		
121.5	0.012	0.40	0.045	1.5	0.051	0.17	174 PSI	12 bar
102.2	0.017	0.58	0.066	2.2	0.075	0.25	145 PSI	10 bar
0703	0.024	0.79	0.09	3	0.102	0.34	102 PSI	7 bar
0705	0.039	1.32	0.15	5	0.168	0.56	102 PSI	7 bar
0505	0.039	1.32	0.15	5	0.168	0.56	73 PSI	5 bar
0606	0.047	1.59	0.18	6	0.201	0.67	87 PSI	6 bar
0507	0.055	1.85	0.21	7	0.234	0.78	73 PSI	5 bar
036.5	0.051	1.72	0.195	6.5	0.216	0.72	44 PSI	3 bar
038.5	0.067	2.25	0.255	8.5	0.285	0.95	44 PSI	3 bar
1005	0.039	1.32	0.15	5	0.168	0.56	145 PSI	10 bar
0510	0.079	2.64	0.3	10	0.300	1.0	73 PSI	5 bar
0311	0.087	2.91	0.33	11	0.330	1.1	44 PSI	3 bar
050.2	0.002	0.05	0.006	0.2	0.069	0.23	73 PSI	5 bar
OUTPUT INFORMATION self-venting metering pumps								
103.2	0.025	0.85	0.096	3.2	0.108	0.36	145	10 bar
100.6	0.005	0.16	0.018	0.6	0.021	0.07	145 PSI	10 bar
071.5	0.012	0.40	0.045	1.5	0.108	0.36	102 PSI	7 bar
053.2	0.025	0.85	0.096	3.2	0.051	0.17	73 PSI	5 bar
036.5	0.051	1.71	0.195	6.5	0.216	0.72	44 PSI	3 bar
034.7	0.037	1.24	0.141	4.7	0.156	0.52	44 PSI	3 bar