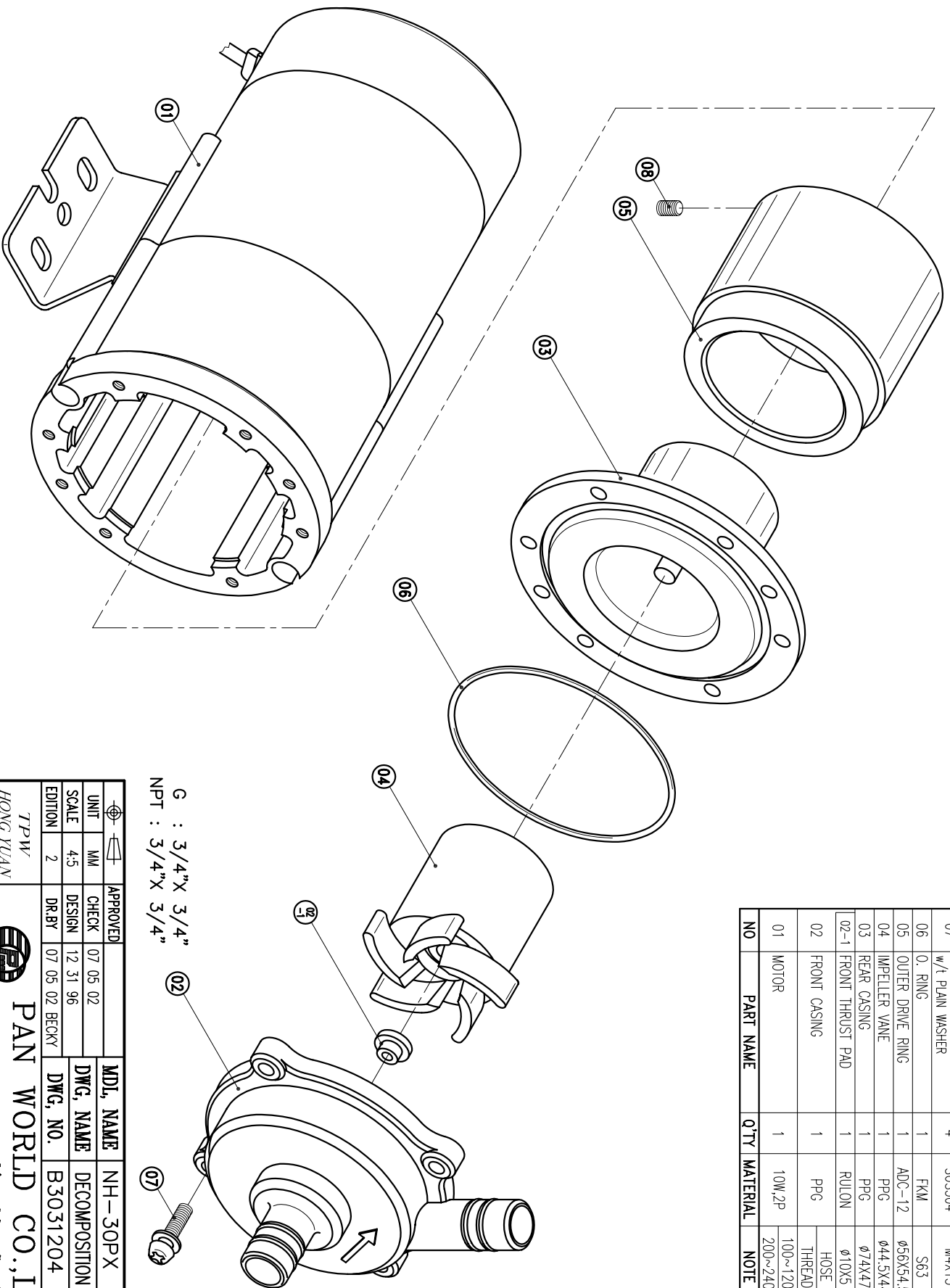


NO	PART NAME	QTY	MATERIAL	NOTE	PART NO.
08	SET SCREW	2	S435	MAX5	
07	SCREW,GROSS RECESS HEAD W/L PLAIN WASHER	4	SUS304	MAX15	
06	O. RING	1	FKM	S63	1001212311
05	OUTER DRIVE RING	1	ADC-12	φ56X54.5	1001212304
04	IMPELLER VANE	1	PPG	φ44.5X44	1001212304
03	REAR CASING	1	PPG	φ174X47	1011212305
02-1	FRONT THRUST PAD	1	RULON	φ10X5	1001212312
02	FRONT CASING	1	PPG	HOSE THREAD	1001212310 1011212300
01	MOTOR	1	10W,2P	100~120V 200~240V	1011212327 1001212327



G : 3/4"X 3/4"  
NPT : 3/4"X 3/4"

APPROVED	CHECK	DESIGN	DR.BY	MDL NAME	DWG. NAME	DECOMPOSITION DRAWING	DWG. NO.	A3
	07 05 02	12 31 96	07 05 02 BECKY	NH-30PX			B3031204	
UNIT	MM	SCALE	4:5	EDITION	2			

TPW  
HONG YUAN



PAN WORLD CO.,LTD.  
パンワールド株式会社