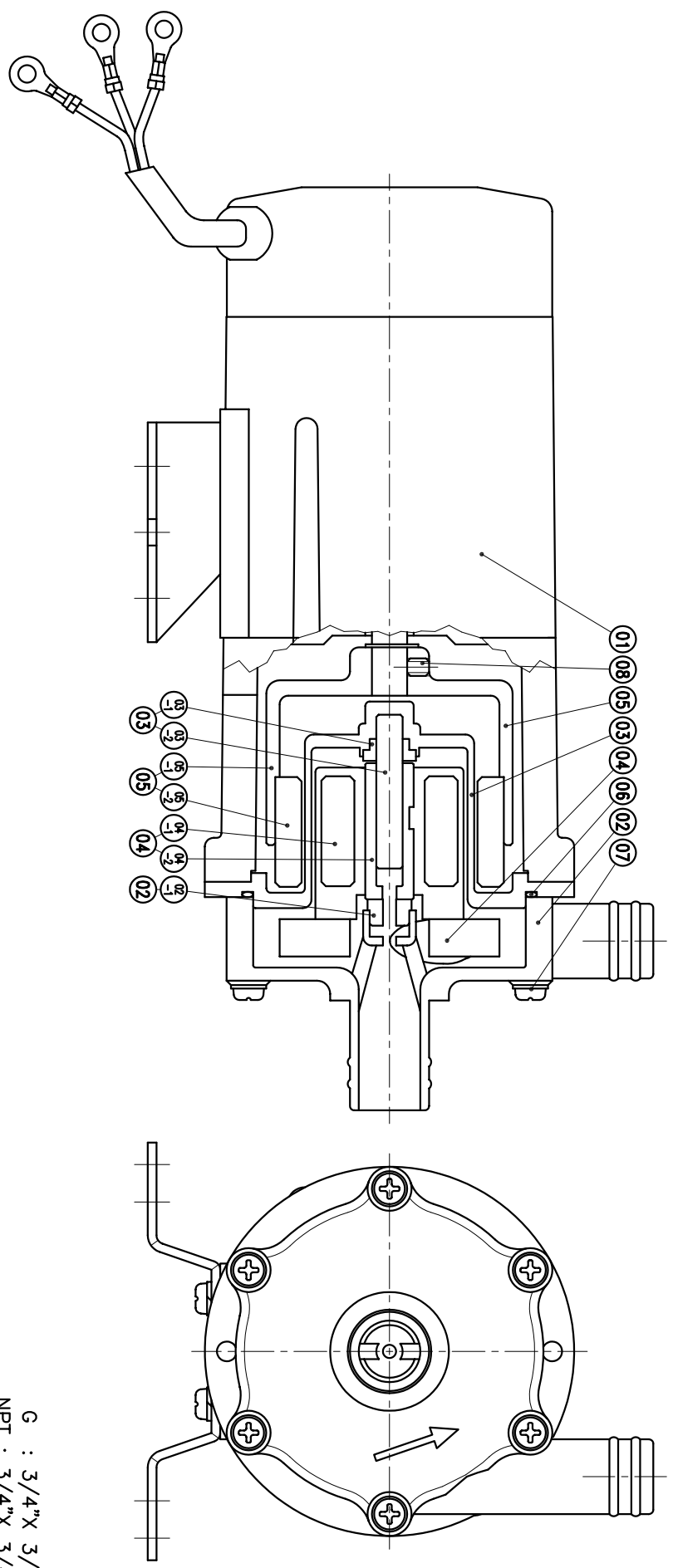


03	REAR CASING	1	PPG	φ74X47	P2301038	04-2	BEARING	1	CERAMIC	φ11X31	P2461481	08	SET SCREW	2	S435	M4X5	P9119420
02-1	FRONT THRUST PAD	1	RULON	φ10Xφ3X6	P2221303	04-1	INNER MAGNET	1	FERRITE	φ31X25	P2441485	07	SCREW,GROSS RECESS HEAD w/L P.W.(φ8Xφ4.3X10.8)	6	SUS304	M4X30	A9111026
02	FRONT CASING	1	PPG	HOSE,φ74X48.5 THREAD,φ74X43	P2211039	04	IMPELLER VANE	1	PPG	φ50X44	P2401040	06	O. RING	1	FKM	φ62.5Xφ2	S63
01	MOTOR	100~120V,200~240V, 20W,1φ,2P				03-2	SPINDLE	1	CERAMIC	φ6X35	P2331479	05-2	OUTER MAGNET	1	FERRITE	φ52Xφ40X25	P2521486
						03-1	REAR THRUST PAD	1	PPS	φ12Xφ6X5	P2329477	05-1	MAGNET HOUSING	1	ADC-12	φ56Xφ5X45	P2511002
												05	OUTER DRIVE RING	1		φ56X54.5	P2501197

NO	PART NAME	QTY	MATERIAL	NOTE	DWG. NO.
08	SET SCREW	2	S435	M4X5	P9119420
07	SCREW,GROSS RECESS HEAD w/L P.W.(φ8Xφ4.3X10.8)	6	SUS304	M4X30	A9111026
06	O. RING	1	FKM	φ62.5Xφ2	S63
05-2	OUTER MAGNET	1	FERRITE	φ52Xφ40X25	P2521486
05-1	MAGNET HOUSING	1	ADC-12	φ56Xφ5X45	P2511002
05	OUTER DRIVE RING	1		φ56X54.5	P2501197



G : 3/4"X 3/4"  
NPT : 3/4"X 3/4"

APPROVED	CHECK	07 06 02	MDL NAME	NH-4OPX
SCALE	DESIGN	10 23 96	DWG. NAME	CONSTRUCTION DRAWING
EDITION	DR.BY	07 06 02 BECKY	DWG. NO.	B2041167
				A3

TPW  
HONG YUAN

PAN WORLD CO., LTD.  
パンワールド株式会社