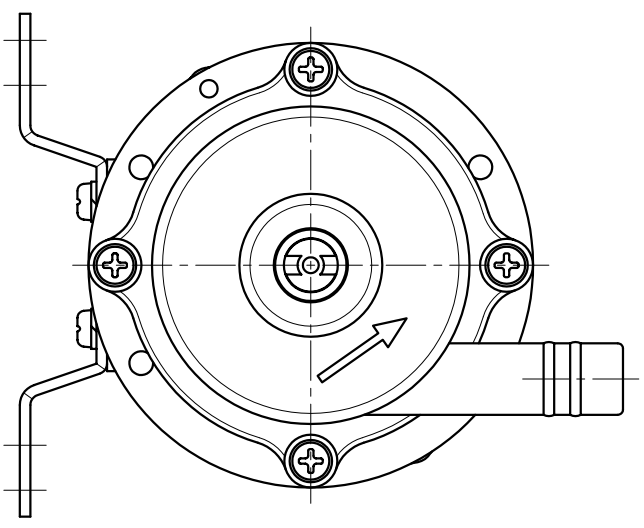
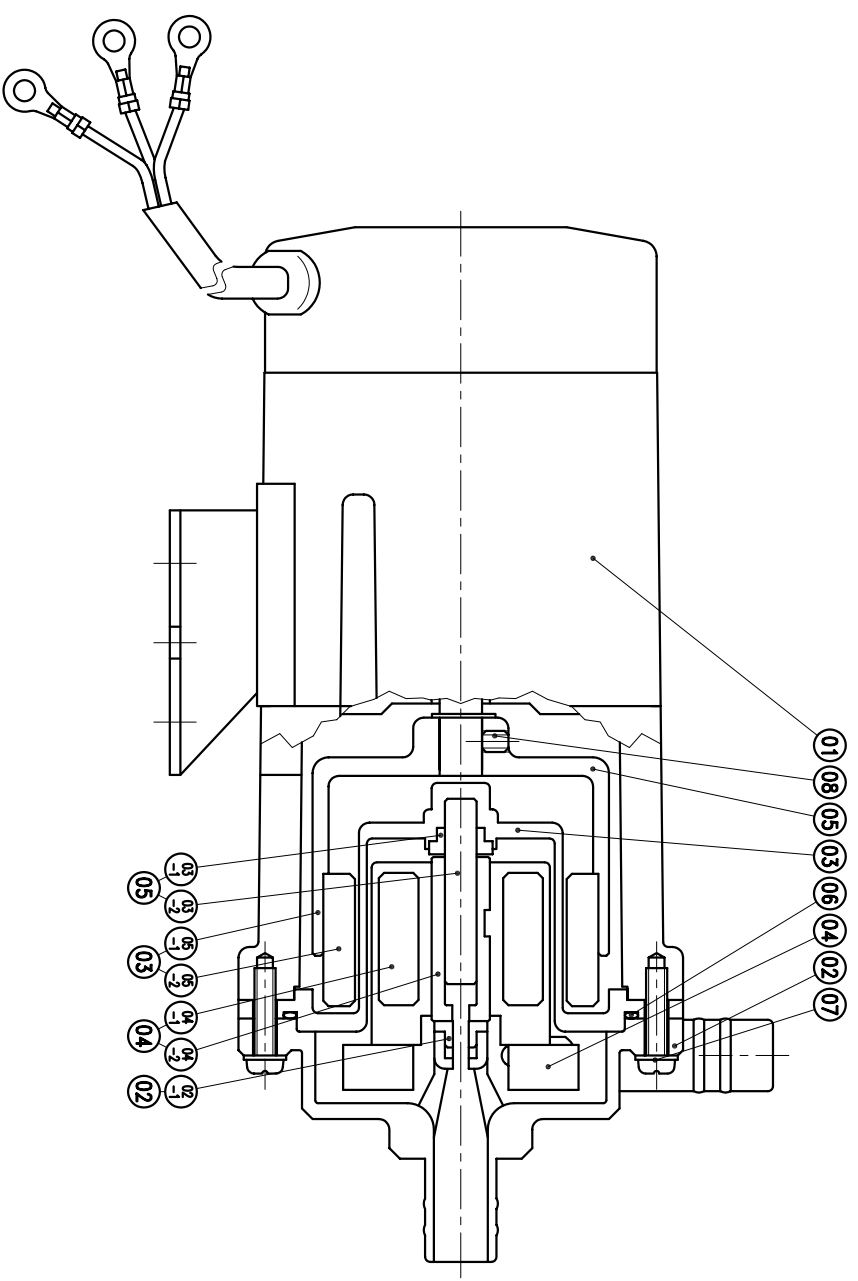


NO	PART NAME	QTY	MATERIAL	NOTE	DWG. NO.	NO	PART NAME	QTY	MATERIAL	NOTE	DWG. NO.
03-1	REAR THRUST PAD	1	PPS	φ12Xφ9X3	P2329477	05	OUTER DRIVE RING	1	CERAMIC	φ56X54.5	P2501197
03	REAR CASING	1	PPG	φ74X47	P2301038	04-2	BEARING	1	CERAMIC	φ11X31	P2461481
02-1	FRONT THRUST PAD	1	RULON	φ10Xφ3X5	P2221021	04-1	INNER MAGNET	1	FERRITE	φ31X25	P2441485
02	FRONT CASING	1	PPG	φ74X46	P2211037	04	IMPELLER VANE	1	PPG	φ44.5X44	P2401198
01	MOTOR	100~120V,200~240V, 10W,1φ,2P				03-2	SPINDLE	1	CERAMIC	φ6X35	P2331479
						08	SET SCREW	2	S435	M4X5	P9119420
						07	SCREW,GROSS RECESS HEAD w/L P.W.(φ8Xφ4.3X10.8)	4	SUS304	M4X15	A9111026
						06	O. RING	1	FKM	φ62.5Xφ2	S63
						05-2	OUTER MAGNET	1	FERRITE	φ52Xφ40X25	P2521486
						05-1	MAGNET HOUSING	1	ADC-12	φ56Xφ8X45	P2511002



G : 3/4"X 3/4"
NPT : 3/4"X 3/4"

APPROVED	CHECK	SCALE	EDITION	MDL. NAME	DWG. NAME	DWG. NO.
	07 05 02	1:1	2	NH-30PX	CONSTRUCTION DRAWING	B2031166
	10 23 96					A3
	07 05 02 BECKY					

TPW
HONG YUAN



PAN WORLD CO.,LTD.
パンワールド株式会社