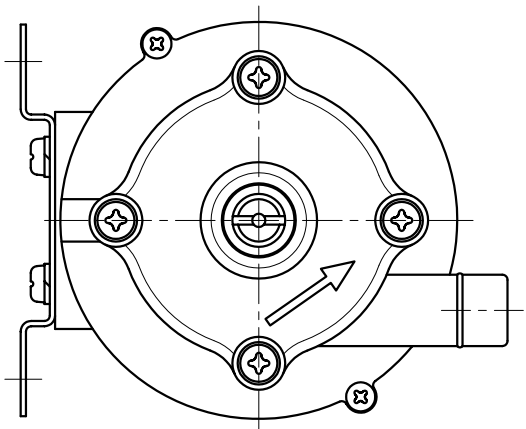
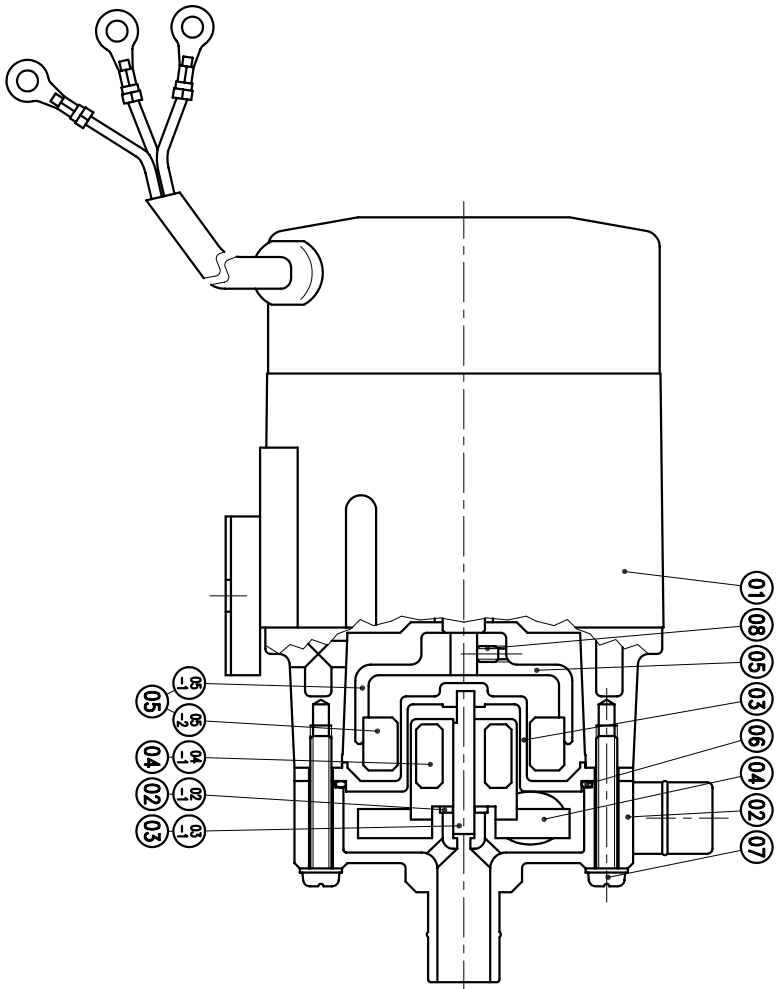


NO	PART NAME	QTY	MATERIAL	NOTE	DWG. NO.	NO	PART NAME	QTY	MATERIAL	NOTE	DWG. NO.						
03	REAR CASING	1	PPG	φ54X20.5	P2301036	05-1	MAGNET HOUSING	1	ADC-12	φ41Xφ5XZ1	P2511004						
02-1	FRONT THRUST PAD	1	RUON	φ9Xφ4.2X1.2	A2221580	05	OUTER DRIVE RING	1	φ41XZ6	P2501199	08	SET SCREW	2	S435	M3X4	P9111421	
02	FRONT CASING	1	PPG	φ54X38	P2201034	04-1	INNER MAGNET	1	FERRITE	φ18X12	P2441115	07	SCREW,GROSS RECESS HEAD W/L P.W.(φ8Xφ4.3X10.8)	4	SUS304	M4X25	A9111026
01	MOTOR			100~120V,200~240V, 5W,1φ,2P		04	IMPELLER VANE	1	PPG	φ40XZ2.5	P2401035	06	O. RING	1	FKM	φ44.5Xφ2	S45
						03-1	SPINDLE	1	CERAMIC	φ4XZ7	P2331103	05-2	OUTER MAGNET	1	FERRITE	φ38Xφ25X10	P2521094



G : 1/2"X 1/2"  
NPT : 1/2"X 1/2"

APPROVED	CHECK	12 31 03	MDL NAME	NH-10PX	
UNIT	MM		DWG. NAME	CONSTRUCTION DRAWING	
SCALE	1:1	DESIGN	10 23 96	DWG. NO.	B2011342
EDITION	3	DR.BY	12 31 03 BECKY		A3

TPW  
HONG YUAN



PAN WORLD CO.,LTD.  
パンワールド株式会社