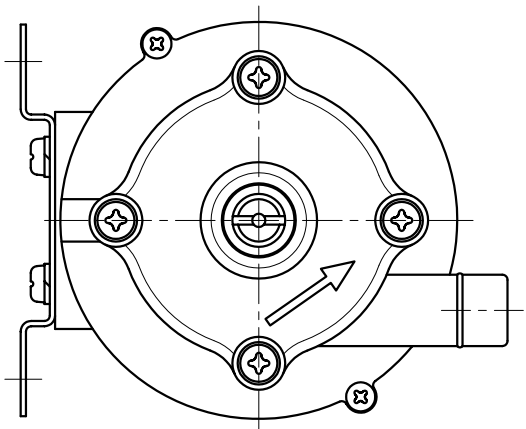
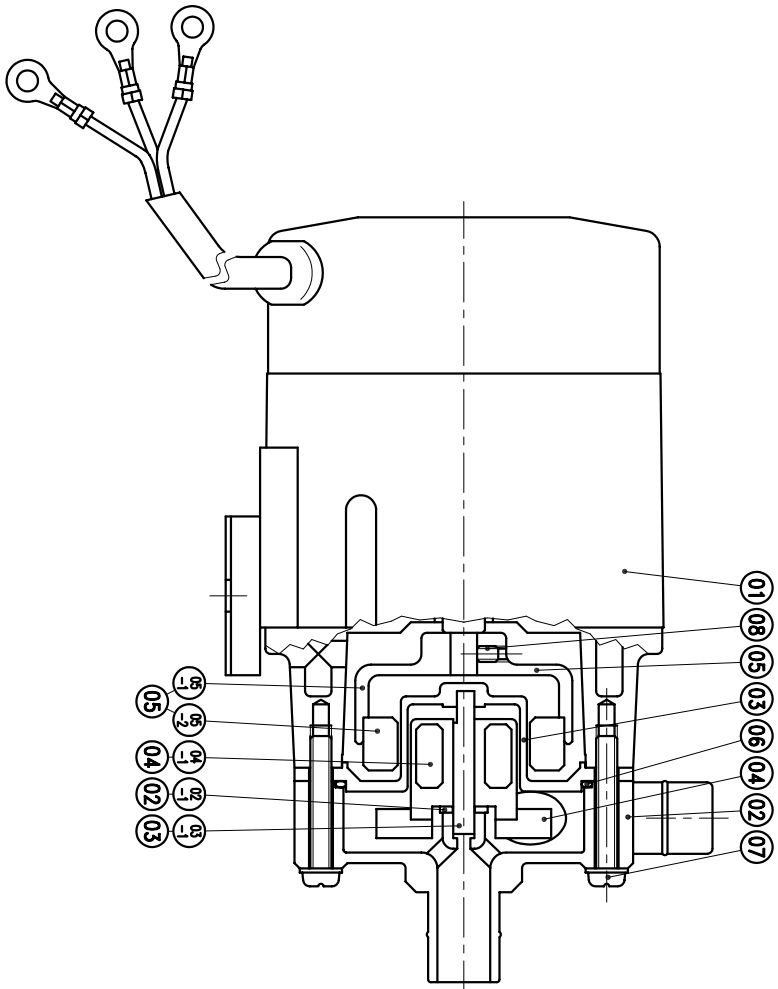


NO	PART NAME	QTY	MATERIAL	NOTE	DWG. NO.	NO	PART NAME	QTY	MATERIAL	NOTE	DWG. NO.
03	REAR CASING	1	PPG	φ54X20.5	P2301036	05-1	MAGNET HOUSING	1	ADC-12	φ41Xφ5XZ1	P2511004
02-1	FRONT THRUST PAD	1	RUON	φ9Xφ4.2X1.2	A2221580	05	OUTER DRIVE RING	1	φ41XZ6	P2501199	
02	FRONT CASING	1	PPG	φ54X38	P2201034	04-1	INNER MAGNET	1	FERRITE	φ18X12	P2441115
01	MOTOR			100~120V,200~240V, 2.5W,φ2P		04	IMPELLER VANE	1	PPG	φ33X22.5	P2401035
						03-1	SPINDLE	1	CERAMIC	φ4X27	P2331103
						08	SET SCREW	2	S435	M3X4	P9111421
						07	SCREW,GROSS RECESS HEAD w/L P.W.(φ8Xφ4.3X10.8)	4	SUS304	M4X25	A9111026
						06	O. RING	1	FKM	φ44.5Xφ2	S45
						05-2	OUTER MAGNET	1	FERRITE	φ38Xφ25X10	P2521094



G : 1/2"X 1/2"
NPT : 1/2"X 1/2"

APPROVED	CHECK	12 31 03	MDL NAME	NH-5PX
CHECK	DESIGN	10 23 96	DWG. NAME	CONSTRUCTION DRAWING
SCALE	DR.BY	12 31 03 BECKY	DWG. NO.	B2001165
EDITION				A3

TPW
HONG YUAN

PAN WORLD CO., LTD.
パンワールド株式会社