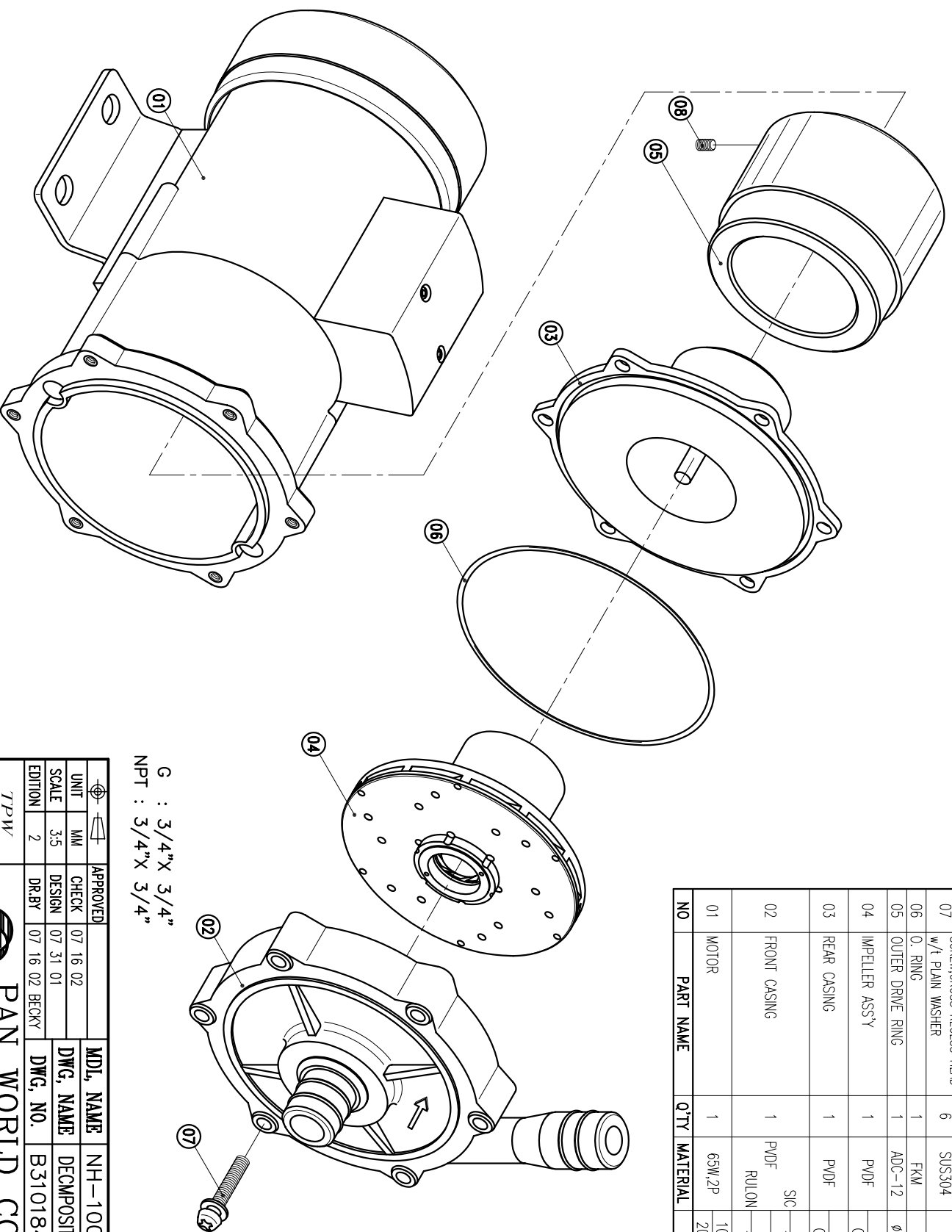


NO	PART NAME	Q'TY	MATERIAL	NOTE	PART NO.
08	SET SCREW	2	S435	MAX5	
07	SCREW,GROSS RECESS HEAD W/1 PLAIN WASHER	6	SUS304	M5X28	
06	O. RING	1	FKM	S95	
05	OUTER DRIVE RING	1	ADC-12	φ70X63.5	
04	IMPELLER ASS'Y	1	PVDF	SIC	
03	REAR CASING	1	PVDF	CERAMIC SIC	
02	FRONT CASING	1	PVDF	HOSE THREAD	
01	MOTOR	1	65W,2P	100~120V 200~240V	



G : 3/4" X 3/4"
NPT : 3/4" X 3/4"

APPROVED	CHECK	07 16 02	MDL NAME	NH-100PX-ZZ-N
UNIT	MM		DWG. NAME	DECOMPOSITION DRAWING
SCALE	3:5		DESIGN	07 31 01
EDITION	2		DR.BY	07 16 02 BECKY
			DWG. NO.	B3101841
				A3

TPW
HONG YUAN



PAN WORLD CO.,LTD.
パンワールド株式会社