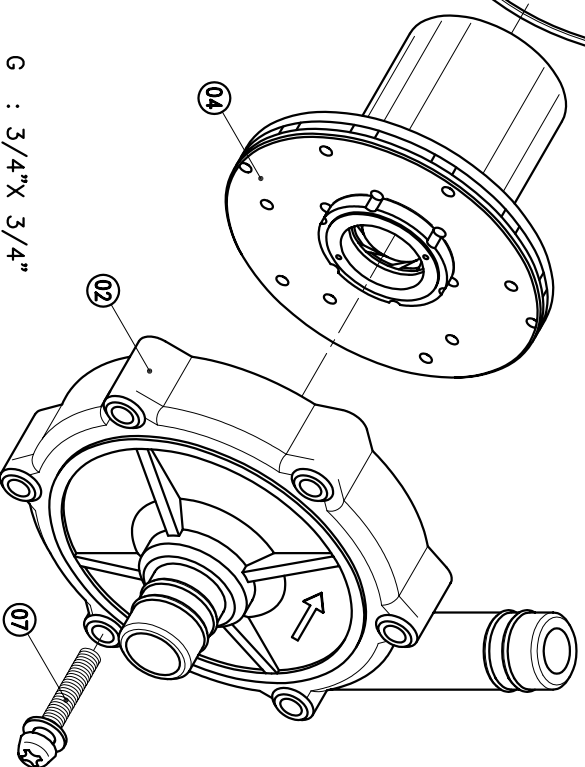
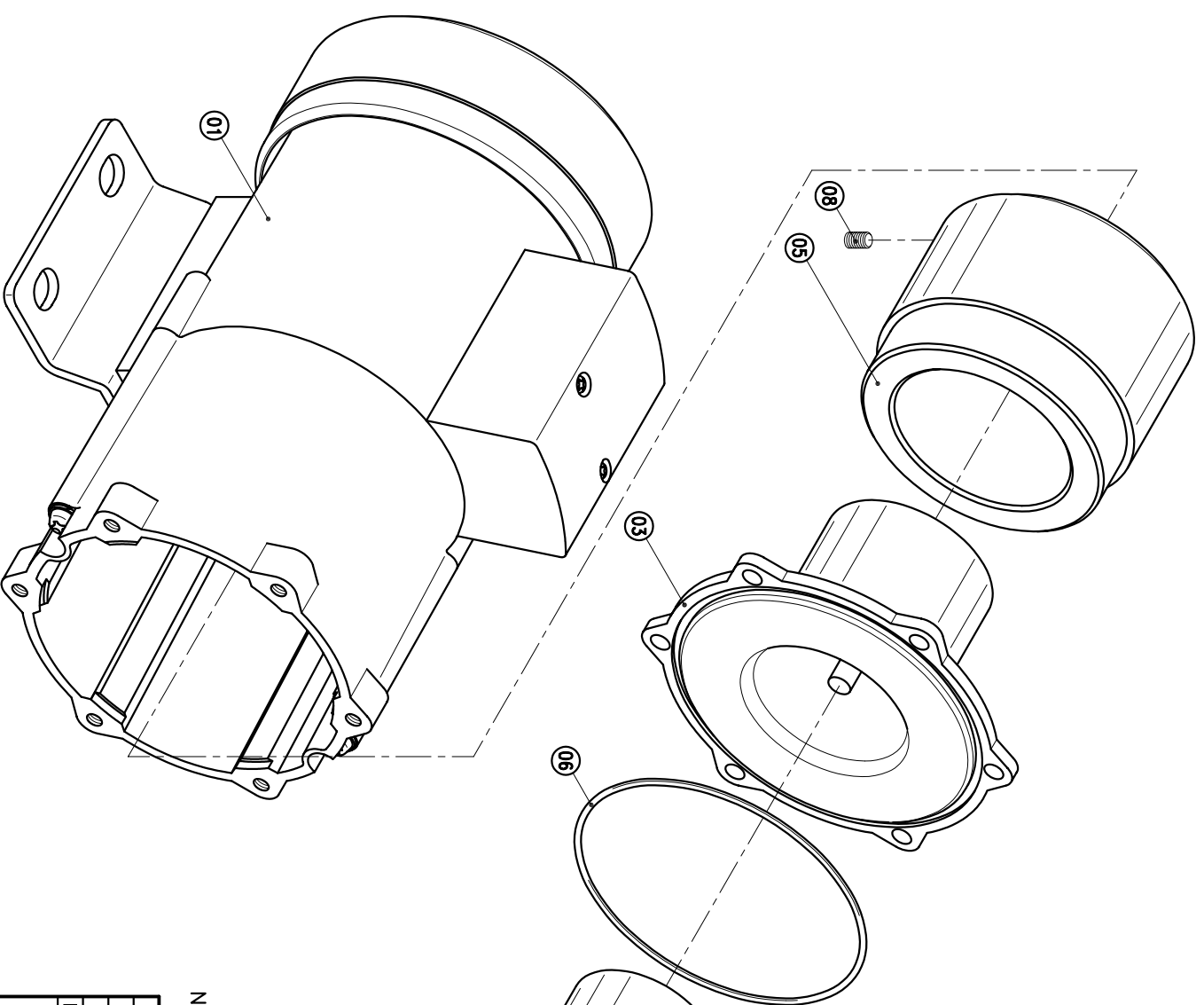


08	SET SCREW	2	S435	M4X5	
07	SCREW,GROSS RECESS HEAD W/L PLAIN WASHER	6	SUS304	M5X28	
06	O. RING	1	FKM	S80	1201412301
05	OUTER DRIVE RING	1	ADC-12	φ70X63.5	
04	IMPELLER ASS'Y	1	PVDF	SIC	1201212604
				CERAMIC	1201213604
03	REAR CASING	1	PVDF	SIC	1201212405
				CERAMIC	1211212308
02	FRONT CASING	1	ETFE	HOSE	1201412300
			RULON	HOSE	1211412300
				THREAD	
01	MOTOR	1	45W,2P	100~120V	1011212357
				200~240V	1001212357



G : 3/4"X 3/4"
NPT : 3/4"X 3/4"

APPROVED	CHECK	07 11 02	MDL NAME	NH-100PX-Z-N
SCALE	DESIGN	03 03 97	DWG. NAME	DECOMPOSITION DRAWING
EDITION	DR.BY	07 11 02 BECKY	DWG. NO.	B3101118
				A3

TPW
HONG YUAN



PAN WORLD CO.,LTD.
パンワールド株式会社