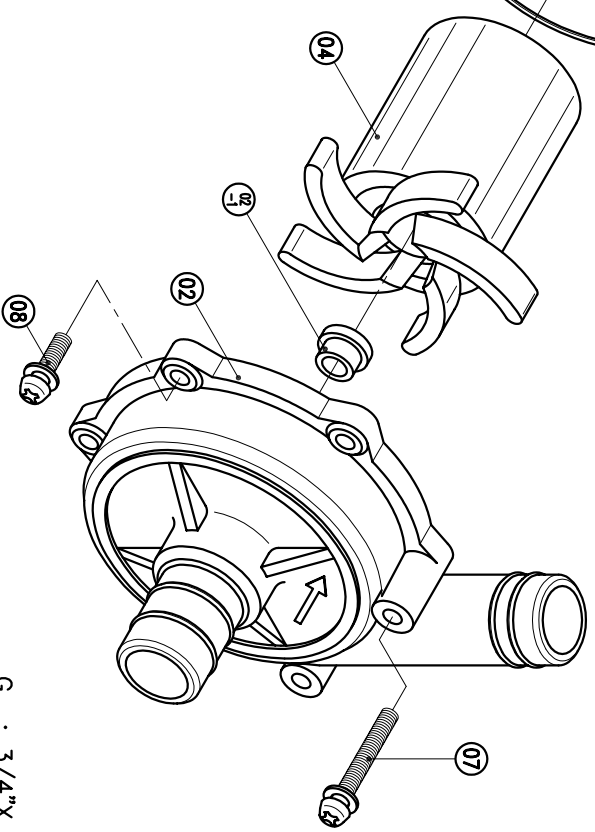
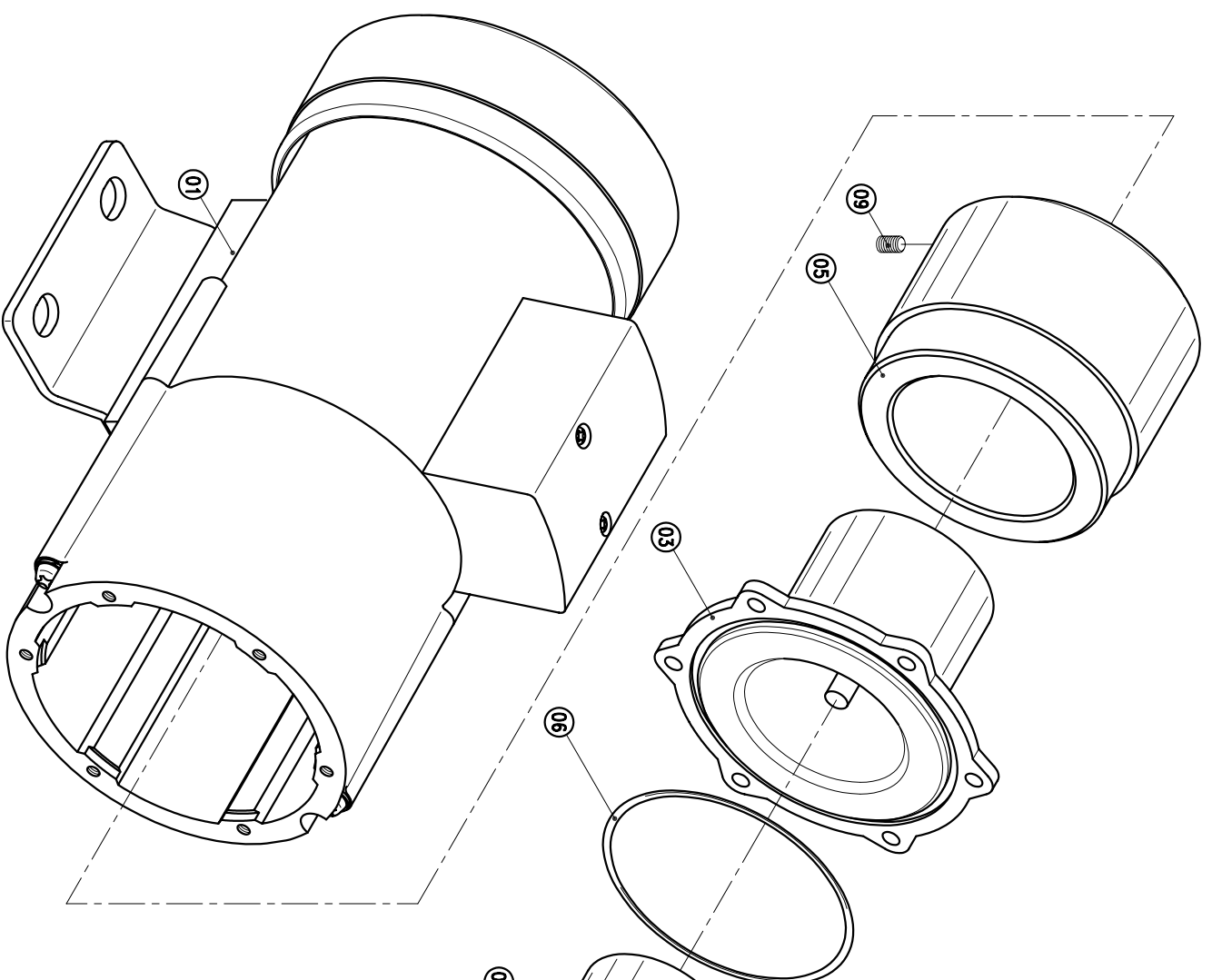


NO	PART NAME	Q'TY	MATERIAL	NOTE	PART NO.
09	SET SCREW	2	S435	MAX5	
08	SCREW,GROSS RECESS HEAD W/L PLAIN WASHER	4	SUS304	MAX15	
07	SCREW,GROSS RECESS HEAD W/L PLAIN WASHER	2	SUS304	MAX30	
06	O. RING	1	FKM	S67	1201512301
05	OUTER DRIVE RING	1	ADC-12	φ70X63.5	
04	IMPELLER VANE	1	PVDF		1201212804
03	REAR CASING	1	PVDF		1201213804
			CERAMIC	SIC	1201212905
02-1	FRONT THRUST PAD	1	SIC	φ10X6	1201212302
			RULON	φ12X6	1001212313
02	FRONT CASING	1	PVDF	HOSE	1201512300
			THREAD		1211512300
01	MOTOR	1	65W-2P	100~120V	1011212377
				200~240V	1001212377



G : 3/4"X 3/4"
NPT : 3/4"X 3/4"

APPROVED	CHECK	MDL. NAME	DECOMPOSITION
07 12 02	07 12 02	NH-100PX-N	DRAWING
DESIGN	03 03 97	DWG. NAME	
DR.BY	07 12 02 BECKY	DWG. NO.	B3101117
EDITION	2		A3

TPW
HONG YUAN



PAN WORLD CO., LTD.
パンワールド株式会社