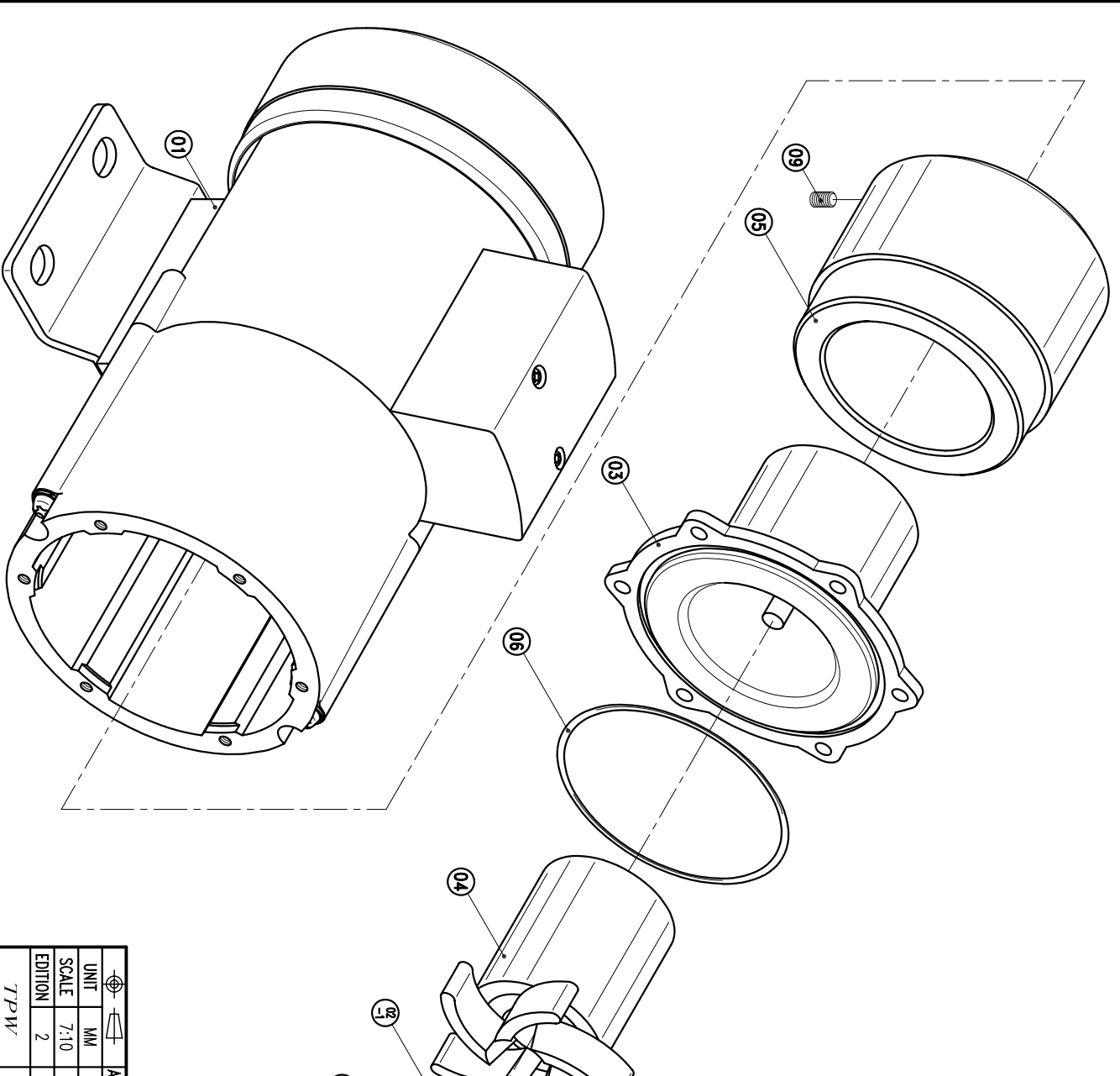


NO	PART NAME	Q'TY	MATERIAL	NOTE	PART NO.
09	SET SCREW	2	S435	MAX5	
08	SCREW,GROSS RECESS HEAD W/L PLAIN WASHER	4	SUS304	MAX15	
07	SCREW,GROSS RECESS HEAD W/L PLAIN WASHER	2	SUS304	MAX40	
06	O. RING	1	FKM	S67	1201512301
05	OUTER DRIVE RING	1	ADC-12	φ70X63.5	
04	IMPELLER VANE	1	PVDF	CERAMIC	
03	REAR CASING	1	PVDF	SIC	1441212505
02-1	FRONT THRUST PAD	1	SIC	φ10X6	1201212302
		1	RULON	φ12X6	1001212313
02	FRONT CASING	1	PVDF	HOSE THREAD	
01	MOTOR	1	45W,2P	100~120V	1011212367
				200~240V	1001212367



G : 1" X 1"  
NPT : 1" X 1"

APPROVED	CHECK	MDL NAME	DECOMPOSITION
07 16 02	07 16 02	NH-50PX-X-N	DRAWING
DESIGN	DESIGN	DWG. NAME	DWG. NO.
03 03 97	03 03 97		B3051116
DR.BY	DR.BY		A3
07 16 02 BECKY	07 16 02 BECKY		

TPW  
HONG YUAN



PAN WORLD CO.,LTD.  
パンワールド株式会社