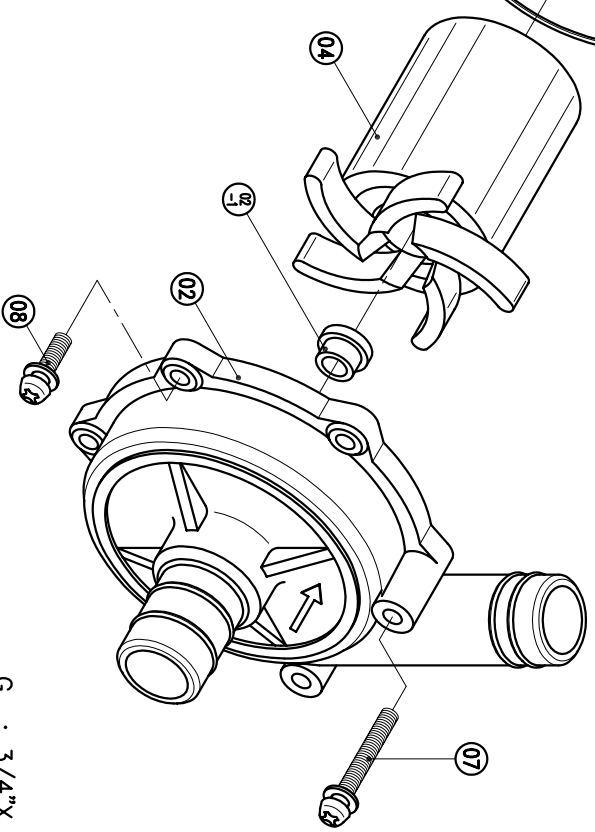
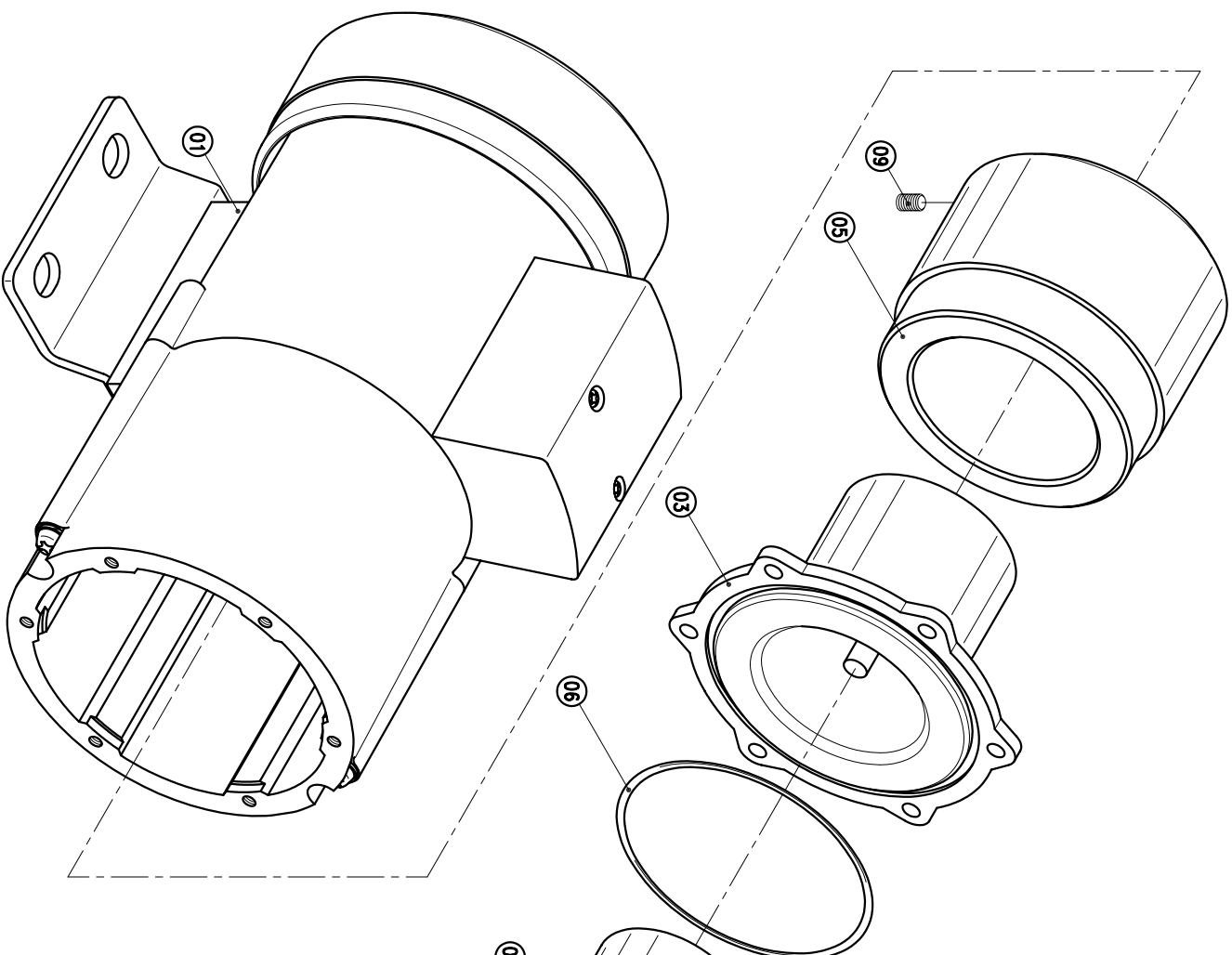


NO	PART NAME	Q'TY	MATERIAL	NOTE	PART NO.
09	SET SCREW	2	S435	MAX5	
08	SCREW,GROSS RECESS HEAD W/L PLAIN WASHER	4	SUS304	MAX15	
07	SCREW,GROSS RECESS HEAD W/L PLAIN WASHER	2	SUS304	MAX30	
06	O. RING	1	FKM	S67	1201512301
05	OUTER DRIVE RING	1	ADC-12	φ70X63.5	
04	IMPELLER VANE	1	PVDF		1201212704
03	REAR CASING	1	PVDF		1201212305
02-1	FRONT THRUST PAD	1	SIC	φ10X6	1201212302
			RULON	φ12X6	1001212313
02	FRONT CASING	1	PVDF	HOSE	1201512300
01	MOTOR	1	45W,2P	100~120V	1011212367
				200~240V	1001212367



G : 3/4"X 3/4"
NPT : 3/4"X 3/4"

APPROVED	CHECK	MDL NAME	NH-50PX-N
07 16 02	07 16 02	DWG. NAME	DECOMPOSITION DRAWING
03 03 97	03 03 97	DWG. NO.	B3051114
07 16 02 BECKY	07 16 02 BECKY		A3

TPW
HONG YUAN



PAN WORLD CO., LTD.
パンワールド株式会社