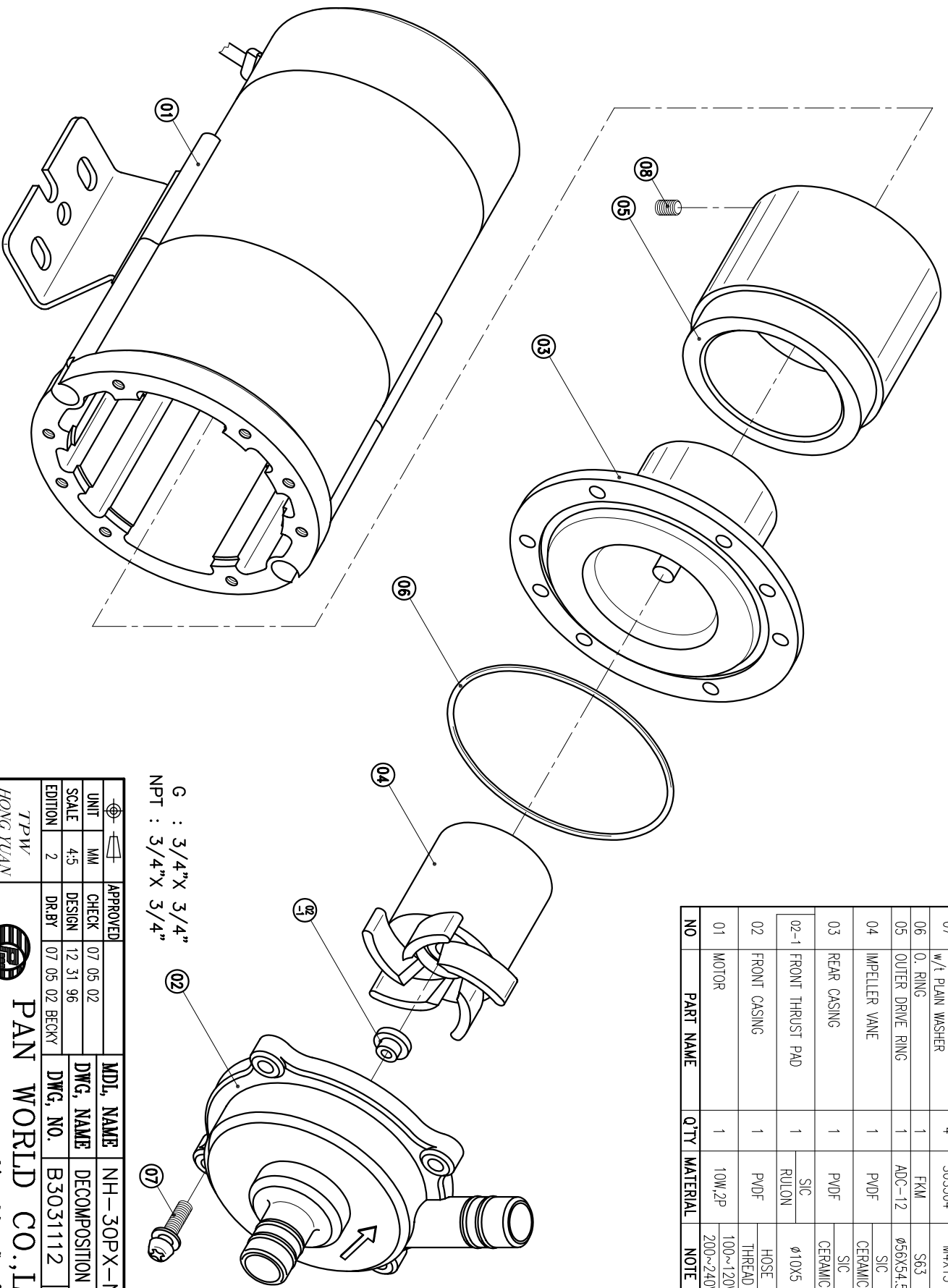


NO	PART NAME	Q'TY	MATERIAL	NOTE	PART NO.
08	SET SCREW	2	S435	M4X5	
07	SCREW,GROSS RECESS HEAD W/L PLAIN WASHER	4	SUS304	M4X15	
06	O. RING	1	FKM	S63	1201212301
05	OUTER DRIVE RING	1	ADC-12	φ56X54.5	
04	IMPELLER VANE	1	PVDF	SIC	1201212304
03	REAR CASING	1	PVDF	CERAMIC	1201212305
				SIC	1211212307
02-1	FRONT THRUST PAD	1	SIC	φ10X5	1201212302
			RULON		1001212312
02	FRONT CASING	1	PVDF	HOSE	1201212300
				THREAD	1211212300
01	MOTOR	1	10W,2P	100~120V	1011212327
				200~240V	1001212327



G : 3/4" X 3/4"
NPT : 3/4" X 3/4"

APPROVED	CHECK	DATE	MDL NAME	NH-30PX-N
07 05 02	07 05 02		DWG, NAME	DECOMPOSITION DRAWING
12 31 96	12 31 96		DWG, NO.	B3031112
07 05 02 BECKY	07 05 02 BECKY			A3

TPW
HONG YUAN



PAN WORLD CO., LTD.
パンワールド株式会社