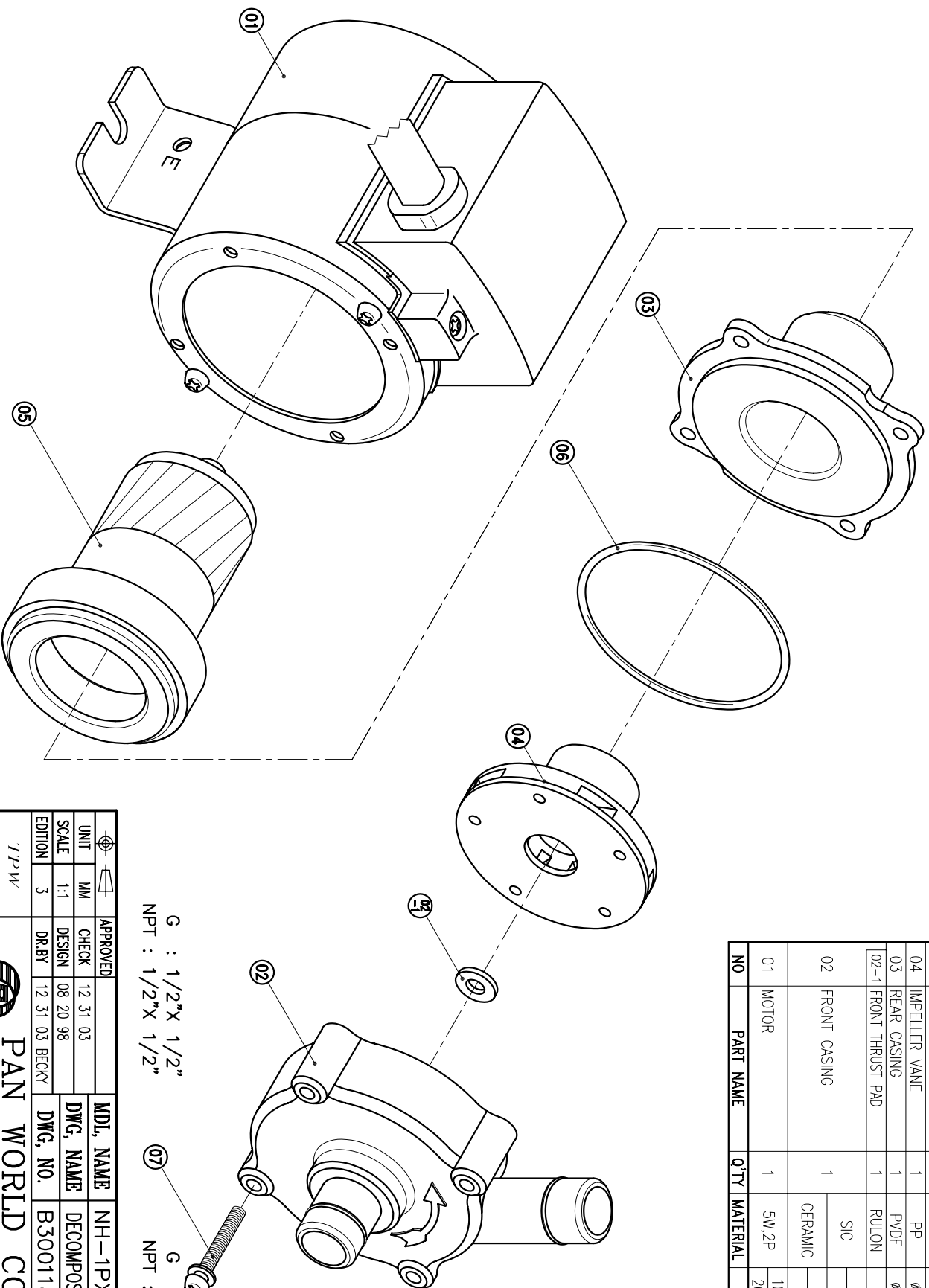


07	SCREW,GROSS RECESS HEAD w/1 PLAIN WASHER	4	SUS304	M3X22	
06	O. RING	1	FKM	S45	1201112301
05	OUTER DRIVE RING	1	ADC-12	φ41X62.5	
04	IMPELLER VANE	1	PP	φ43X22.5	1901212327
03	REAR CASING	1	PVDF	φ54X28.5	1901212329
02-1	FRONT THRUST PAD	1	RULON	φ9X1.2	
			HOSE		1901212324
02	FRONT CASING	1	SIC	THREAD	
			CERAMIC	HOSE	
01	MOTOR	1	5W,2P	THREAD	1901212325
				100~120V	1911212309
				200~240V	1911212308



G : 1/2"X 1/2"  
NPT : 1/2"X 1/2"

G : 1/2"X 1/2"  
NPT : 1/2"X 1/2"

APPROVED	CHECK	12 31 03	MDL NAME	NH-1PX-Z-N
SCALE	DESIGN	08 20 98	DWG. NAME	DECOMPOSITION DRAWING
EDITION	DR.BY	12 31 03 BECKY	DWG. NO.	B3001189
				A3

TPW  
HONG YUAN



PAN WORLD CO.,LTD.  
パンワールド株式会社