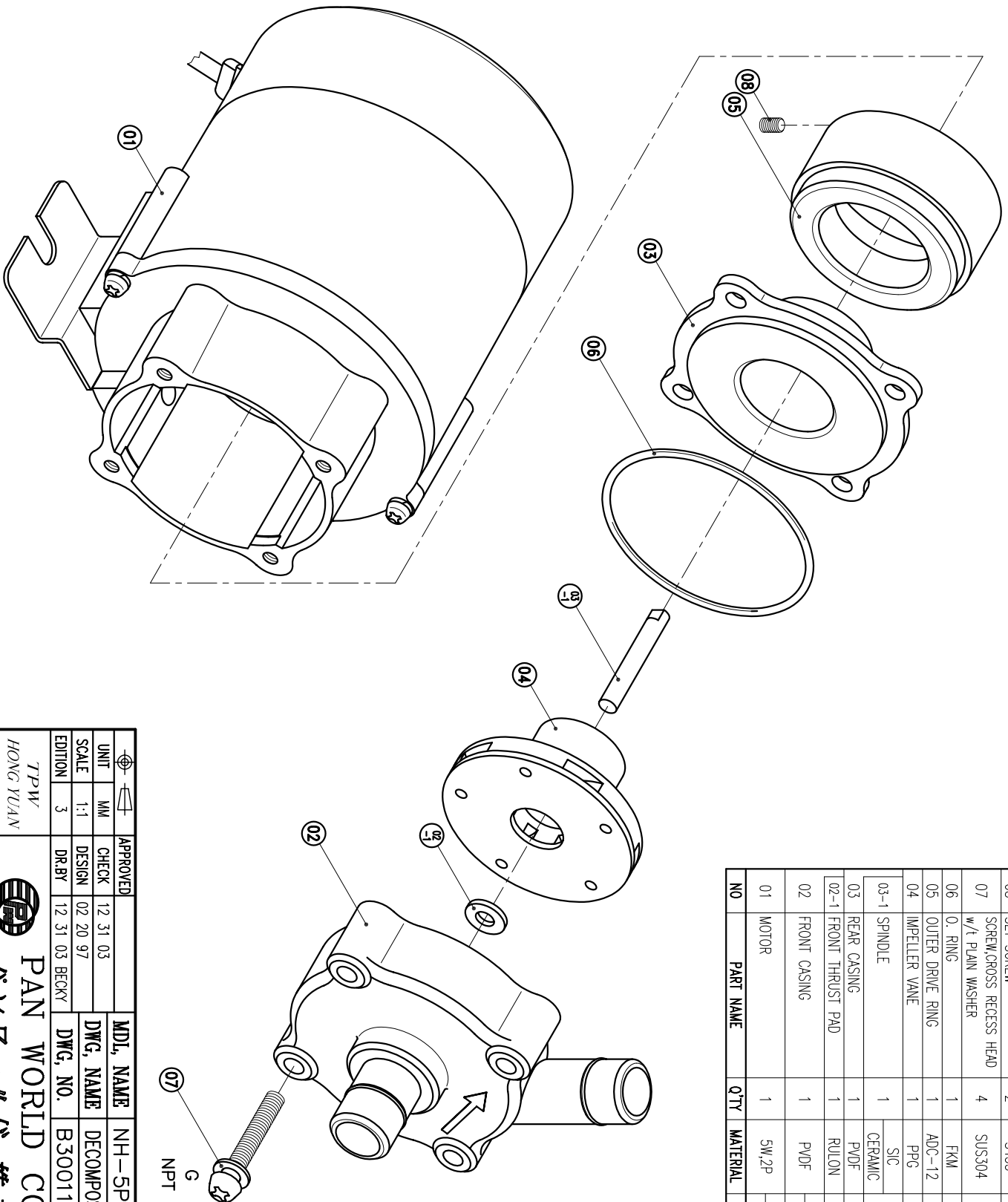


NO	PART NAME	QTY	MATERIAL	NOTE	PART NO.
08	SET SCREW	2	S435	M3X4	
07	SCREW,CROSS RECESS HEAD w/L PLAIN WASHER	4	SUS304	M4X25	
06	O. RING	1	FKM	S45	1201112301
05	OUTER DRIVE RING	1	ADC-12	φ41X26	1201212306
04	IMPELLER VANE	1	PPG	φ43X22.5	1001112303
03-1	SPINDLE	1	SIC	φ4X27	1201212306
			CERAMIC		1001212306
03	REAR CASING	1	PVDF	φ54X20.5	1001212305
02-1	FRONT THRUST PAD	1	RUION	φ9X2.5	1001112300
02	FRONT CASING	1	PVDF	HOSE THREPAD	1011112310 1011212317
01	MOTOR	1	5W.2P	100~120V 200~240V	1001212317



G : 1/2"X 1/2"
 NPT : 1/2"X 1/2"

APPROVED	CHECK	MDL. NAME	DECOMPOSITION DRAWING
12 31 03	12 31 03	NH-5PX-Z-N	
DESIGN	02 20 97	DWG. NAME	
DR.BY	12 31 03 BECKY	DWG. NO.	B3001110
EDITION	3		A3

TPW
 HONG YUAN

PAN WORLD CO., LTD.
パンワールド株式会社