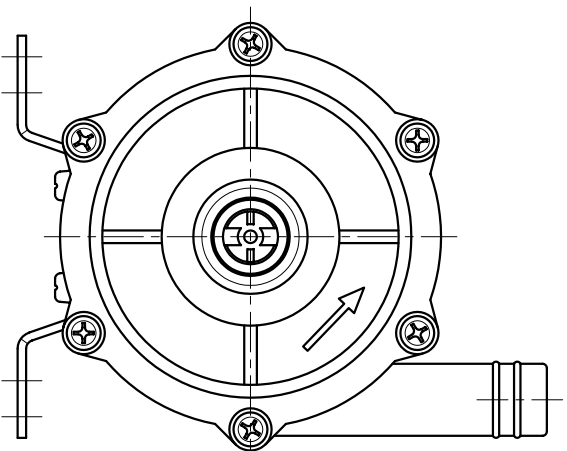
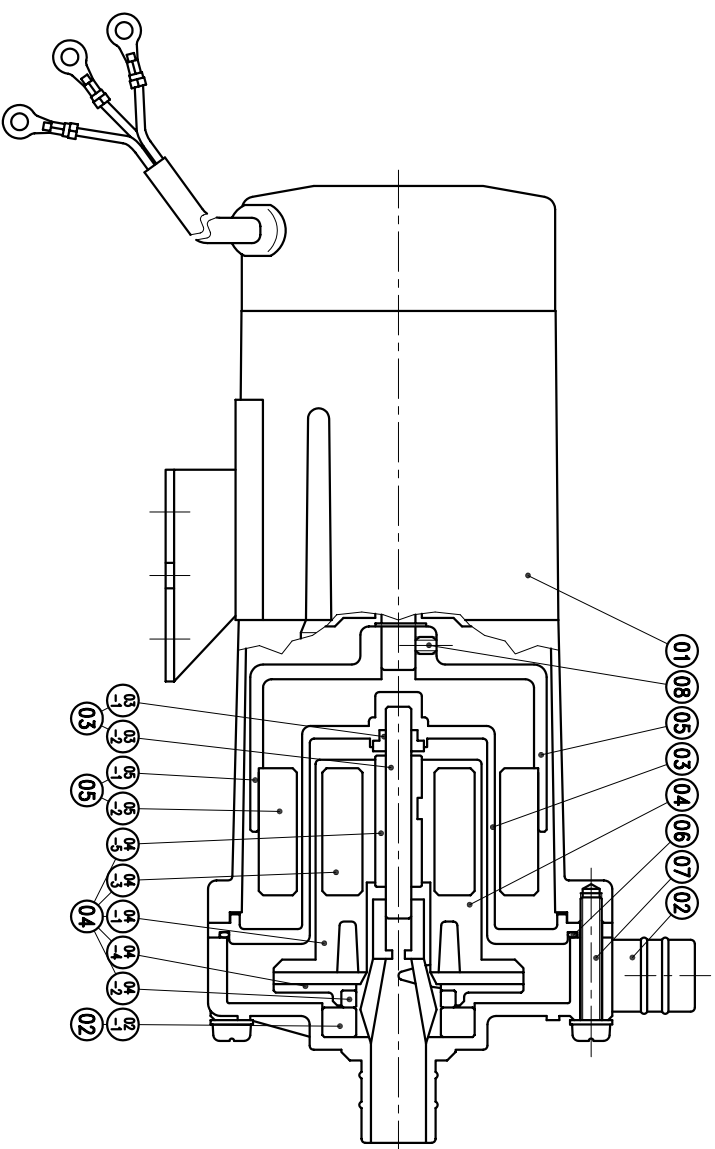


03-1	REAR THRUST PAD	1	TEFLON	φ12Xφ6X3	P2329477	04-4	IMPELLER COVER	1	PVDF	φ76X6	P2451044	08	SET SCREW	2	S435	M4X5	P9119420
03	REAR CASING	1	PVDF	φ91X59.5	P2301047	04-3	INNER MAGNET	1	FERRITE	φ56Xφ17X30	P2449487	07	SCREW,GROSS RECESS HEAD w/L.P.W.(φ10Xφ5.3X11)	6	SUS304	M5X28	P9111136
02-1	FRONT THRUST PAD	1	SIC	φ10Xφ6X6	P2229119	04-2	MOUTH RING	1	RULON	φ77X4.5	P2421462	06	O. RING	1	FKM	φ79.5X2	S80
02	FRONT CASING	1	RULON	φ12Xφ6X6	P2229765	04-1	IMPELLER VANE	1	PVDF	φ76X54	P2411045	05-2	OUTER MAGNET	1	FERRITE	φ66X30	P2529488
01	MOTOR	1	PVDF	φ91X48.5	P2211043	04	IMPELLER ASS'Y	1	PVDF	φ59X59.5	P2401195	05-1	MAGNET HOUSING	1	ADC-12	φ70X48.5	P2519003
				100~120V,200~240V,45W,1φ,2P		03-2	SPINDLE	1	SIC	φ6X50	P2339480	05	OUTER DRIVE RING	1	ADC-12	φ70X63.5	P2509196
									CERAMIC		P2339291						P2469157
																	P2469482

NO	PART NAME	QTY	MATERIAL	NOTE	DWG. NO.
04-5	BEARING	1	CERAMIC	φ11X31	A2469157



G : 3/4"X 3/4"
NPT : 3/4"X 3/4"

APPROVED	CHECK	07 11 02	MDL NAME	NH-5OPX-Z-N
SCALE	DESIGN	06 01 97	DWG. NAME	CONSTRUCTION DRAWING
EDITION	DR.BY	07 11 02 BECKY	DWG. NO.	B2051027
				A3

TPW
HONG YUAN



PAN WORLD CO.,LTD.
パンワールド株式会社