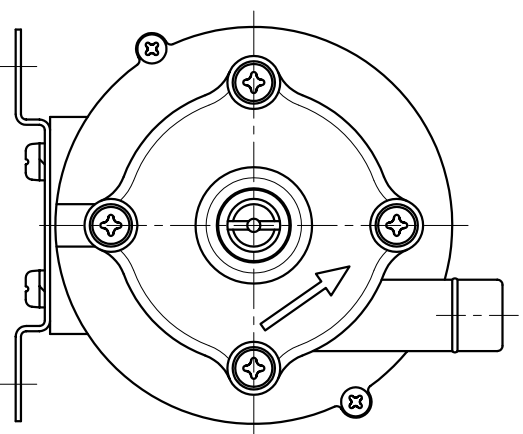
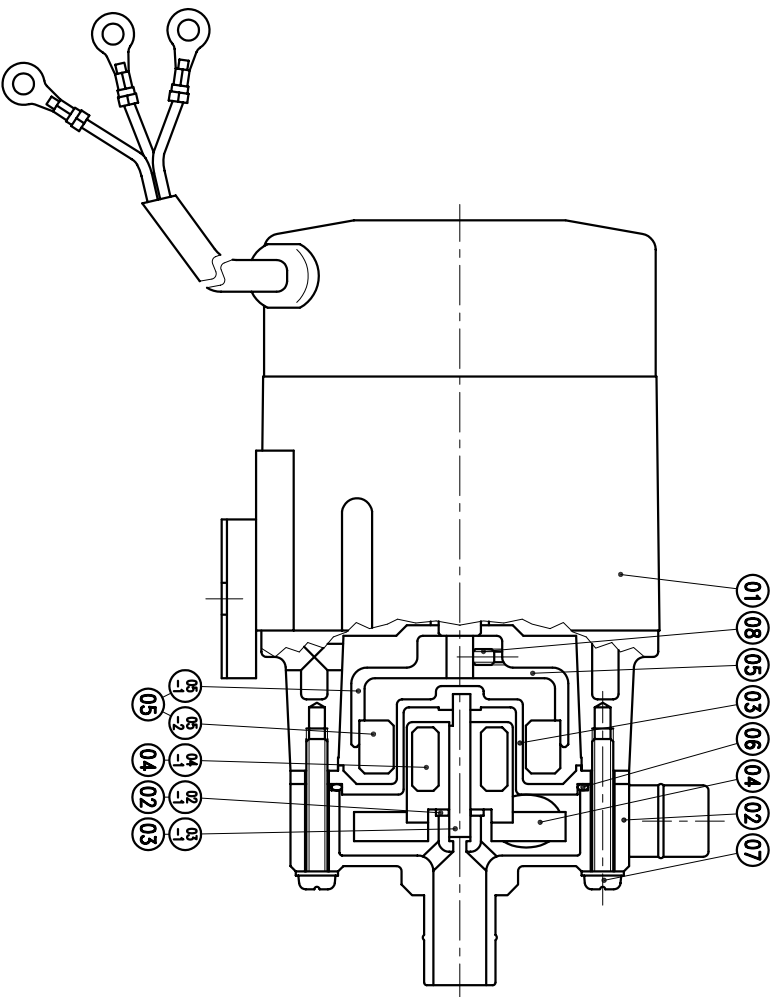


03	REAR CASING	1	PVDF	φ54X20.5	P2301036
02-1	FRONT THRUST PAD	1	RUION	φ9Xφ4.2X1.2	A2221580
02	FRONT CASING	1	PVDF	φ54X38	P2201034
01	MOTOR			100~120V,200~240V , 5W,1φ,2P	
NO	PART NAME	QTY	MATERIAL	NOTE	DWG. NO.

05	OUTER DRIVE RING	1	FERRITE	φ41X26	P2501199
04-1	INNER MAGNET	1	PPG	φ18X12	P2441115
04	IMPELLER VANE	1	PPG	φ40X22.5	P2401035
03-1	SPINDLE	1	SIC	φ4X27	P2331103
NO	PART NAME	QTY	MATERIAL	NOTE	DWG. NO.

08	SET SCREW	2	S435	M3X4	P9111421
07	SCREW,GROSS RECESS HEAD w/L P.W.(φ8Xφ4.3X10.8)	4	SUS304	M4X25	A9111026
06	O. RING	1	FKM	φ44.5Xφ2	S45
05-2	OUTER MAGNET	1	FERRITE	φ38Xφ25X10	P2521094
05-1	MAGNET HOUSING	1	ADC-12	φ41Xφ5X21	P2511004
NO	PART NAME	QTY	MATERIAL	NOTE	DWG. NO.



G : 1/2"X 1/2"
NPT : 1/2"X 1/2"

APPROVED	CHECK	12 31 03	MDL NAME	NH-10PX-N
SCALE	DESIGN	10 23 96	DWG. NAME	CONSTRUCTION DRAWING
EDITION	DR.BY	12 31 03 BECKY	DWG. NO.	B2011019
				A3

TPW
HONG YUAN



PAN WORLD CO.,LTD.
パンワールド株式会社