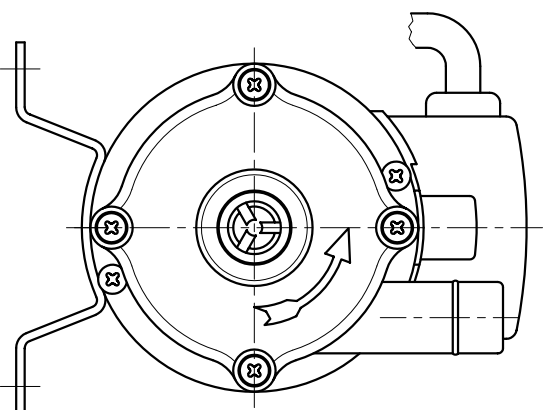
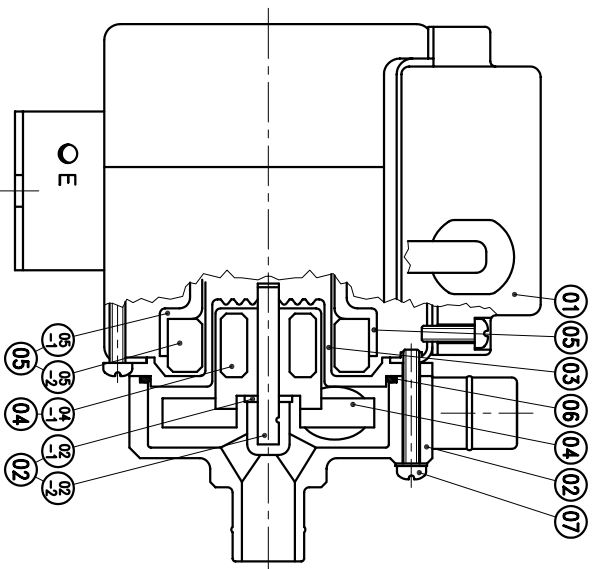


02-1	FRONT THRUST PAD	1	RULON	Ø9XØ4.2X1.2/A2221580	
02	FRONT CASING ASS'Y	1	PVDF	Ø54X35 P2201370	
01	MOTOR			100~120V,200~240V , 5W,1Ø.2P	
	PART NAME	Q'TY	MATERIAL	NOTE	DWG. NO.

04-1	INNER MAGNET	1	FERRITE	Ø18X12	P2441115
04	IMPELLER VANE	1	PPG	Ø40X22.5	P2401035
03	REAR CASING	1	PVDF	Ø54X28.5	P2301369
02-2	SPINDLE	1	CERAMIC SIC	Ø4X29.7	P2331107
	PART NAME	Q'TY	MATERIAL	NOTE	DWG. NO.

07	SCREW CROSS RECESS HEAD	4	SUS304	M3X22	P9111721
06	O. RING	1	EKM	Ø44.5XØ2	S45
05-2	OUTER MAGNET	1	FERRITE	Ø38XØ25X10	P2521094
05-1	MAGNET HOUSING	1		Ø41XØ9.5	P1201373
05	OUTER DRIVE RING	1		Ø41XØ2.5	P2501413
	PART NAME	Q'TY	MATERIAL	NOTE	DWG. NO.



G : 1/2"X 1/2"
NPT : 1/2"X 1/2"

APPROVED		MDL. NAME	NH-3PX-N
CHECK	12 31 03	DWG. NAME	CONSTRUCTION DRAWING
DESIGN	09 01 98	DWG. NO.	B2001187
DR.BY	12 31 03 BECKY		A3

TPW
HONG YUAN



PAN WORLD CO.,LTD.
パナワールド株式会社