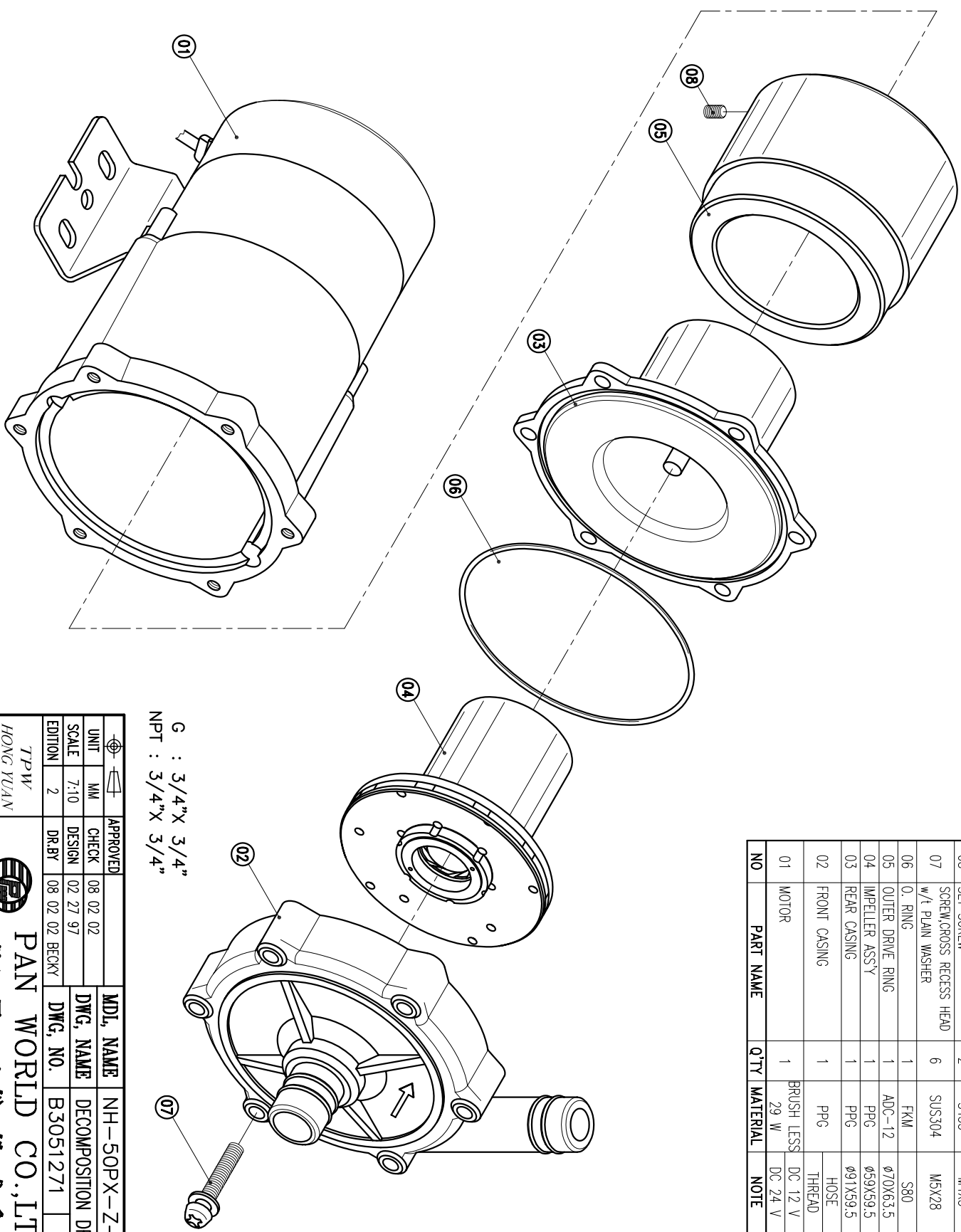


NO	PART NAME	Q'TY	MATERIAL	NOTE	PART NO.
08	SET SCREW	2	S435	M4X5	
07	SCREW,GROSS RECESS HEAD W/L PLAIN WASHER	6	SUS304	M5X28	
06	O. RING	1	FKM	S80	1001412301
05	OUTER DRIVE RING	1	ADC-12	φ70X63.5	1001212504
04	IMPELLER ASS'Y	1	PPG	φ59X59.5	1001212405
03	REAR CASING	1	PPG	φ91X59.5	1001412300
02	FRONT CASING	1	PPG	HOSE THREAD	1011412301
01	MOTOR	1	BRUSH LESS 29 W	DC 12 V DC 24 V	1301212347



G : 3/4" X 3/4"
NPT : 3/4" X 3/4"

APPROVED	CHECK	DESIGN	DR.BY	MDL NAME	DWG. NAME	DWG. NO.	A3
08 02 02	08 02 02	02 27 97	08 02 02 BECKY	NH-50PX-Z-D	DECOMPOSITION DRAWING	B3051271	A3

TPW
HONG YUAN



PAN WORLD CO., LTD.
パンワールド株式会社