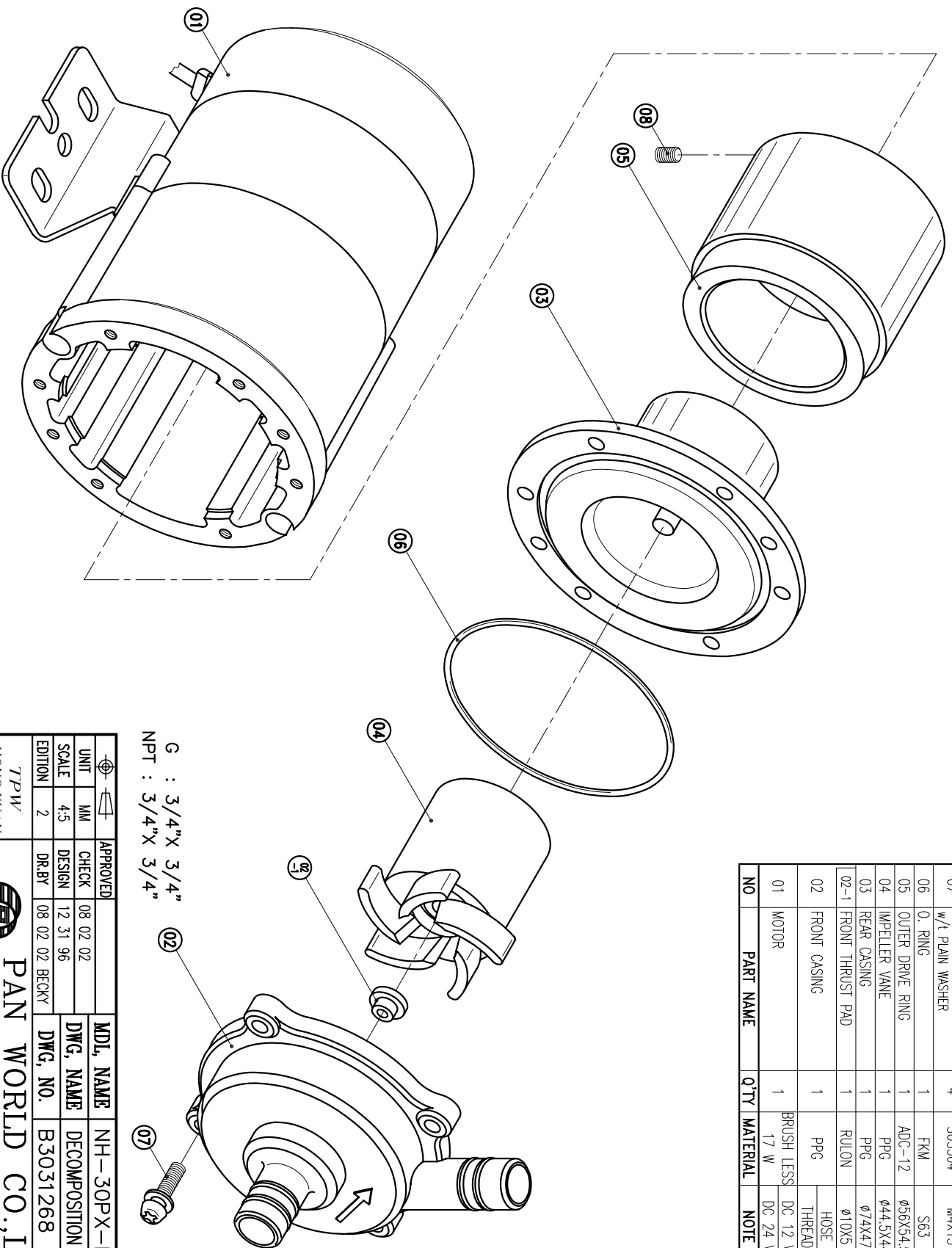


NO	PART NAME	QTY	MATERIAL	NOTE	PART NO.
08	SET SCREW	2	S435	M4X5	
07	SCREW,GROSS RECESS HEAD W/1 PLAIN WASHER	4	SUS304	M4X15	
06	O. RING	1	FKM	S63	1001212311
05	OUTER DRIVE RING	1	ADC-12	φ56X54.5	1001212304
04	IMPELLER VANE	1	PPG	φ44.5X44	1001212304
03	REAR CASING	1	PPG	φ174X47	1011212305
02-1	FRONT THRUST PAD	1	RULON	φ10X5	1001212312
02	FRONT CASING	1	PPG	HOSE THREAD	1001212310 1011212300
01	MOTOR	1	BRUSH LESS 17 W	DC 12 V DC 24 V	1301212327 1301212327



G : 3/4"X 3/4"
NPT : 3/4"X 3/4"

APPROVED	CHECK	DESIGN	DR.BY	MDL NAME	DWG. NAME	DECOMPOSITION	DRAWING
08 02 02	08 02 02	12 31 96	08 02 02 BECKY	NH-30PX-D	DWG. NO.	B3031268	A3

TPW
HONG YUAN



PAN WORLD CO.,LTD.
パンワールド株式会社