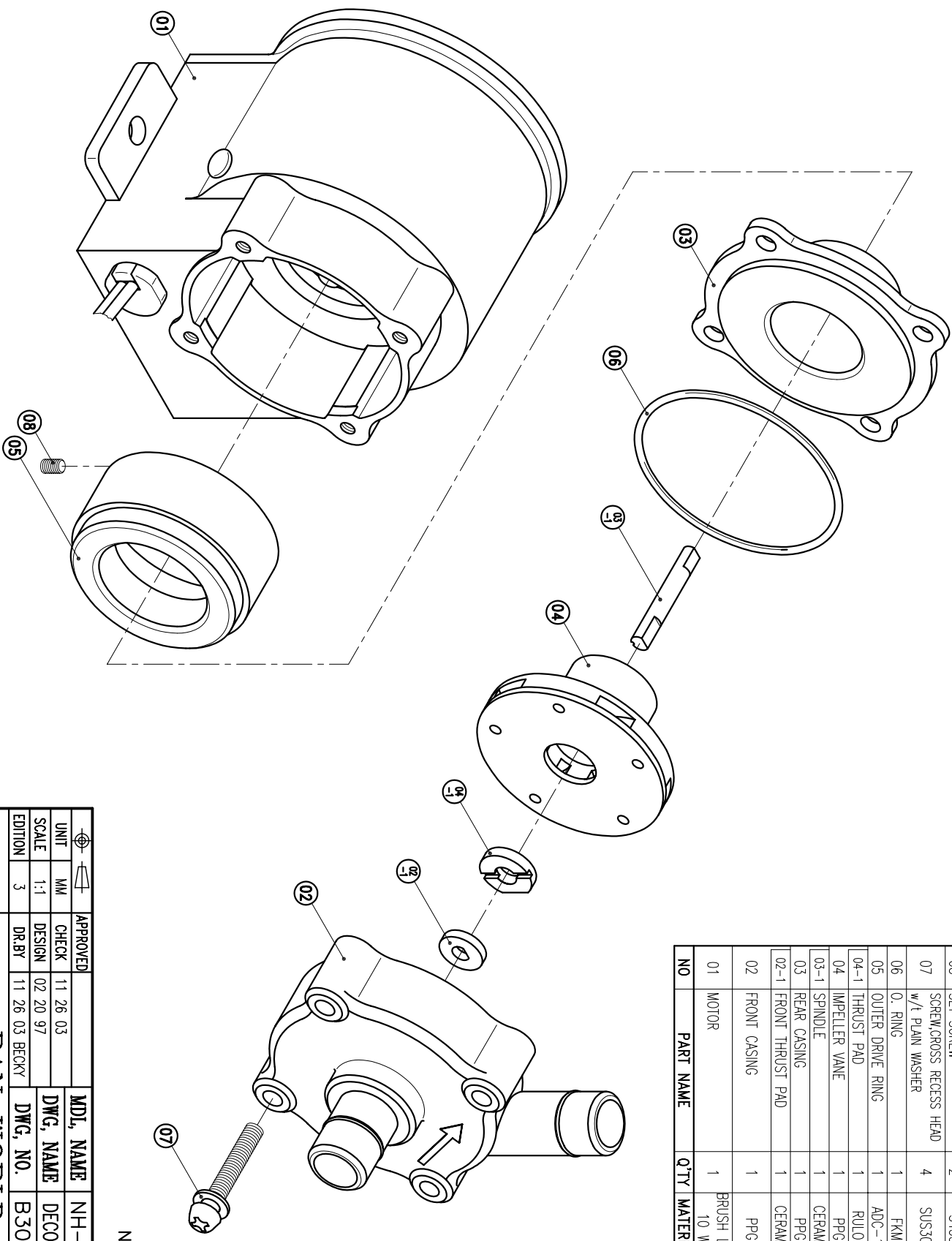


| NO   | PART NAME                                   | QTY | MATERIAL           | NOTE               | PART NO.                 |
|------|---|-----|--------------------|--------------------|--------------------------|
| 08   | SET SCREW                                   | 2   | S435               | M3X4               |                          |
| 07   | SCREW,CROSS RECESS HEAD<br>w/L PLAIN WASHER | 4   | SUS304             | M4X25              |                          |
| 06   | O. RING                                     | 1   | FKM                | S45                | 1001112311               |
| 05   | OUTER DRIVE RING                            | 1   | ADC-12             | φ41X26             |                          |
| 04-1 | THRUST PAD                                  | 1   | RULON              | φ12X2.5            |                          |
| 04   | IMPELLER VANE                               | 1   | PPG                | φ43X22.5           | 1001112305               |
| 03-1 | SPINDLE                                     | 1   | CERAMIC            | φ4X27              | 1001212306               |
| 03   | REAR CASING                                 | 1   | PPG                | φ54X20.5           | 1001212305               |
| 02-1 | FRONT THRUST PAD                            | 1   | CERAMIC            | φ10X2              |                          |
| 02   | FRONT CASING                                | 1   | PPG                | HOSE<br>THREAD     | 1001112310<br>1011112300 |
| 01   | MOTOR                                       | 1   | BRUSH LESS<br>10 W | DC 12 V<br>DC 24 V | 1301212317               |



G : 1/2"X 1/2"  
NPT : 1/2"X 1/2"

| APPROVED | CHECK    | MDL NAME  | NH-5PX-Z-D            |
|----------|----------|-----------|-----------------------|
| 11 26 03 | 11 26 03 | DWG. NAME | DECOMPOSITION DRAWING |
| 02 20 97 | 02 20 97 | DWG. NO.  | B3001267              |
| 11 26 03 | 11 26 03 | DR.BY     | BECKY                 |
| 3        | 3        | EDITION   | A3                    |

TPW  
HONG YUAN



PAN WORLD CO., LTD.  
パンワールド株式会社