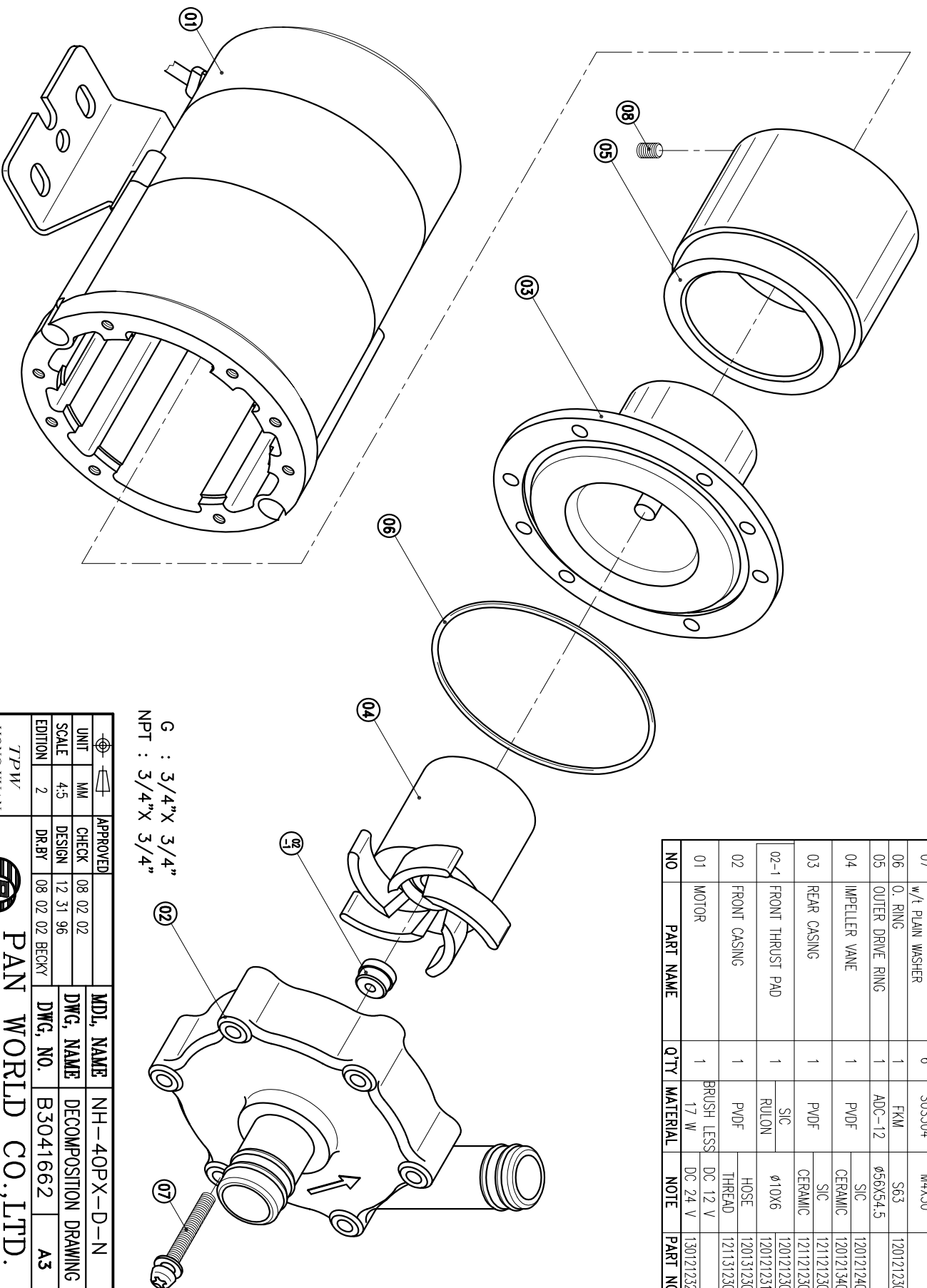


NO	PART NAME	Q'TY	MATERIAL	NOTE	PART NO.
08	SET SCREW	2	S435	MAX5	
07	SCREW,GROSS RECESS HEAD W/L PLAIN WASHER	6	SUS304	MAX30	
06	O. RING	1	FKM	S63	1201212301
05	OUTER DRIVE RING	1	ADC-12	φ56X54.5	
04	IMPELLER VANE	1	PVDF	SIC	1201212404
03	REAR CASING	1	PVDF	CERAMIC	1201213404
				SIC	1211212305
				CERAMIC	1211212307
02-1	FRONT THRUST PAD	1	SIC	φ10X6	1201212303
			RULON		1201212314
02	FRONT CASING	1	PVDF	HOSE	1201312300
				THREAD	1211312300
01	MOTOR	1	BRUSH LESS 17 W	DC 12 V DC 24 V	1301212327



G : 3/4" X 3/4"
NPT : 3/4" X 3/4"

APPROVED	CHECK	08 02 02	MDL NAME	NH-40PX-D-N
UNIT	MM		DWG. NAME	DECOMPOSITION DRAWING
SCALE	4:5	DESIGN 12 31 96	DWG. NO.	B3041662
EDITION	2	DR.BY 08 02 02 BECKY		A3

TPW
HONG YUAN



PAN WORLD CO., LTD.
パンワールド株式会社