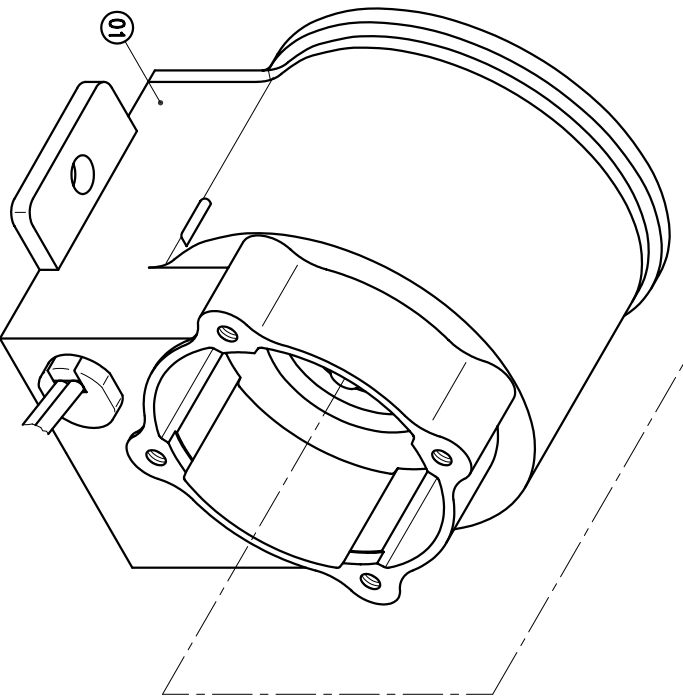


NO	PART NAME	QTY	MATERIAL	NOTE	PART NO.
08	SET SCREW	2	S435	M3X4	
07	SCREW,CROSS RECESS HEAD w/L PLAIN WASHER	4	SUS304	M4X25	
06	O. RING	1	FKM	S45	1201112301
05	OUTER DRIVE RING	1	ADC-12	φ41X26	
04	IMPELLER VANE	1	PPG	φ33X22.5	1001112303
03-1	SPINDLE	1	SIC	φ4X27	1201212306
			CERAMIC		1001212306
03	REAR CASING	1	PVDF	φ54X20.5	1001212305
02-1	FRONT THRUST PAD	1	RULON	φ9X1.2	
02	FRONT CASING	1	PVDF	HOSE THREAD	1001112300
01	MOTOR	1	BRUSH LESS 6 W	DC 12 V DC 24 V	1301212307



UNIT	MM	CHECK	12 31 03	APPROVED	MDL NAME	NH-5PX-D-N
SCALE	1:1	DESIGN	02 20 97		DWG. NAME	DECOMPOSITION DRAWING
EDITION	3	DR.BY	12 31 03 BECKY		DWG. NO.	B3001608
						A3

TPW  
HONG YUAN

 PAN WORLD CO.,LTD.  
パナワールド株式会社