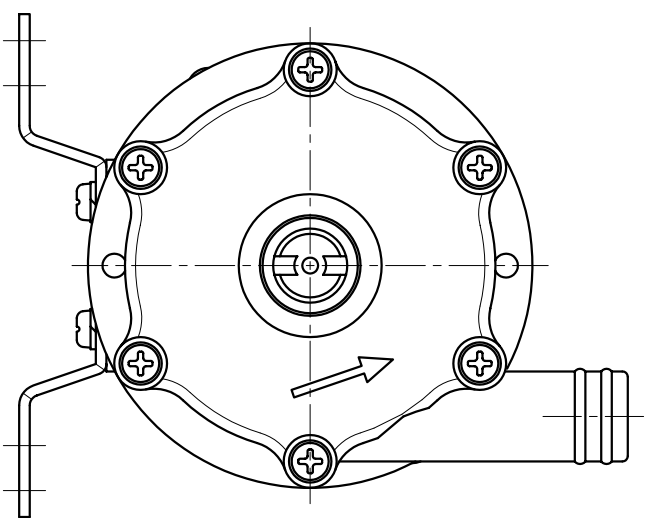
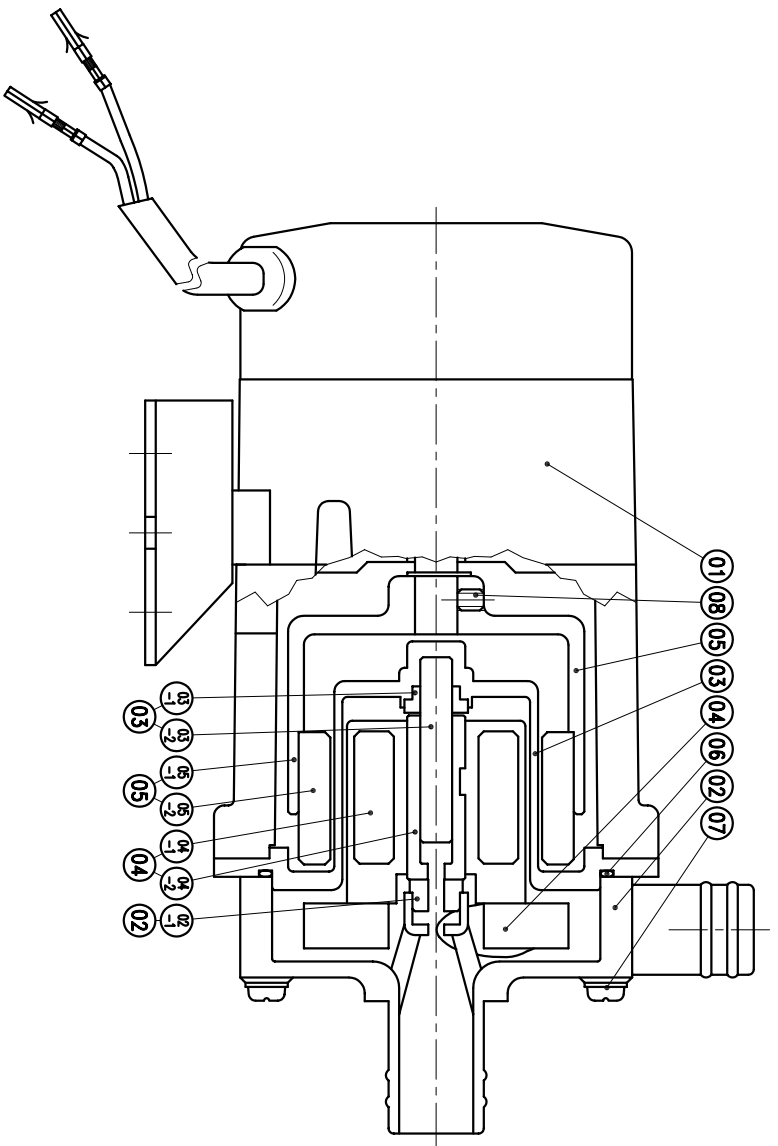


| | | | | | | | | | | | | | | | | |
|------|------------------|---|--------------------------------|----------|------|-----------------|---|---------|----------|----------|----------|------------------|---|----------|------------|----------|
| 02-1 | FRONT THRUST PAD | 1 | SIC | P2221105 | 04-1 | INNER MAGNET | 1 | FERRITE | φ31X25 | P2441485 | 08 | SET SCREW | 2 | S435 | M4X5 | P9119420 |
| | | | RULON | P2221303 | 04 | IMPELLER VANE | | 1 | PVDF | φ50X44 | P2401040 | 07 | SCREW,GROSS RECESS HEAD w/L P.W.(φ8Xφ4.3X10.8) | 6 | SUS304 | M4X30 |
| 02 | FRONT CASING | 1 | PVDF | P2211039 | 03-2 | SPINDLE | 1 | SIC | φ6X35 | P2331290 | 06 | O. RING | 1 | FKM | φ62.5Xφ2 | S63 |
| | | | HOSE:φ74X48.5 THREAD:φ74X43 | | | | | | | | | | | | | |
| 01 | MOTOR | | BRUSH LESS, 17W, DC12V, DC24V | | 03-1 | REAR THRUST PAD | 1 | TEFLON | φ12Xφ6X5 | P2329477 | 05-2 | OUTER MAGNET | 1 | FERRITE | φ52Xφ40X25 | P2521486 |
| | | | | | 03 | REAR CASING | 1 | PVDF | φ74X47 | P2301038 | 05-1 | MAGNET HOUSING | 1 | ADC-12 | φ56Xφ54.5 | P2511002 |
| | | | | | | | | | | | 05 | OUTER DRIVE RING | 1 | φ56X54.5 | P2501197 | |

| | | | | | | | | | | | | | | | | |
|------|---------|---|---------|--------|----------|--|--|--|--|--|--|--|--|--|--|--|
| 04-2 | BEARING | 1 | SIC | φ11X31 | P2461767 | | | | | | | | | | | |
| | | | CERAMIC | | P2461481 | | | | | | | | | | | |



G : 3/4"X 3/4"
NPT : 3/4"X 3/4"

| | | | | |
|----------|--------|----------|-----------|----------------------|
| APPROVED | CHECK | 08.03.02 | MDL NAME | NH-40PX-D-N |
| CHECK | DESIGN | 10.23.96 | DWG. NAME | CONSTRUCTION DRAWING |
| SCALE | 1:1 | | DWG. NO. | B2041325 |
| EDITION | 2 | | DR.BY | 08.03.02 BECKY |
| | | | | A3 |

TPW
HONG YUAN



PAN WORLD CO.,LTD.
パンワールド株式会社