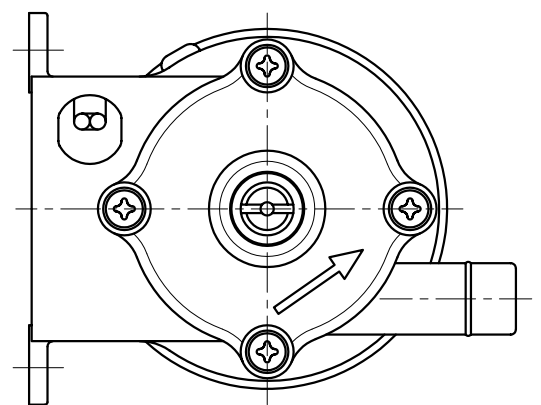
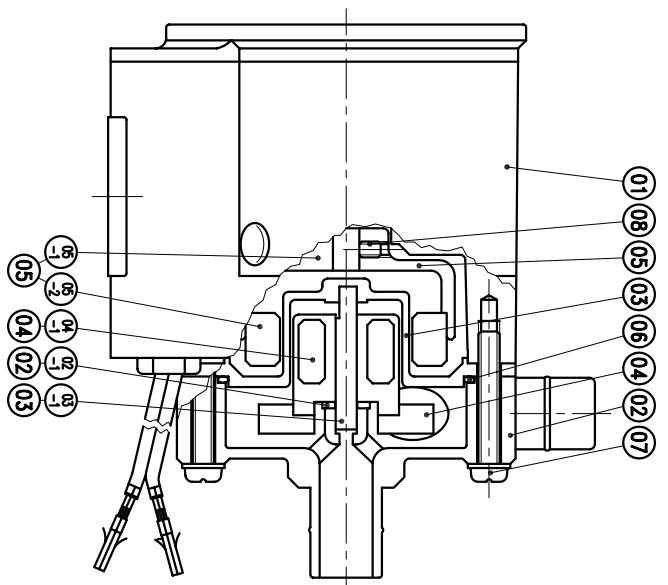


03	REAR CASING	1	PVDF	φ54X20.5	P2301036	05	OUTER DRIVE RING	1	FERRITE	φ41X26	P2501199	08	SET SCREW	2	S435	M3X4	P9111421
02-1	FRONT THRUST PAD	1	RULON	φ9Xφ4.2X1.2	A2221580	04-1	INNER MAGNET	1	PPG	φ18X12	P2441115	07	SCREW,GROSS RECESS HEAD w/L P.W(φ8Xφ4.3X10.8)	4	SUS304	M4X25	A9111026
02	FRONT CASING	1	PVDF	φ54X38	P2201034	04	IMPELLER VANE	1	SIC	φ33X22.5	P2401035	06	O. RING	1	FKM	φ44.5Xφ2	S45
01	MOTOR		BRUSH LESS , 6W , DC12V , DC24V			03-1	SPINDLE	1	CERAMIC	φ4X27	P2331103	05-2	OUTER MAGNET	1	FERRITE	φ38Xφ25X10	P2521094
	PART NAME	QTY	MATERIAL	NOTE	DWG. NO.	NO	PART NAME	QTY	MATERIAL	NOTE	DWG. NO.	NO	PART NAME	QTY	MATERIAL	NOTE	DWG. NO.
						05-1	MAGNET HOUSING	1	ADC-12	φ41Xφ5X21	P2511004						



G : 1/2"X 1/2"
NPT : 1/2"X 1/2"

APPROVED	MDL NAME	NH-5PX-D-N
CHECK	DWG. NAME	CONSTRUCTION DRAWING
DESIGN	DWG. NO.	B2001131
DR.BY		A3
EDITION		
3		

TPW
HONG YUAN

PAN WORLD CO., LTD.
パンワールド株式会社