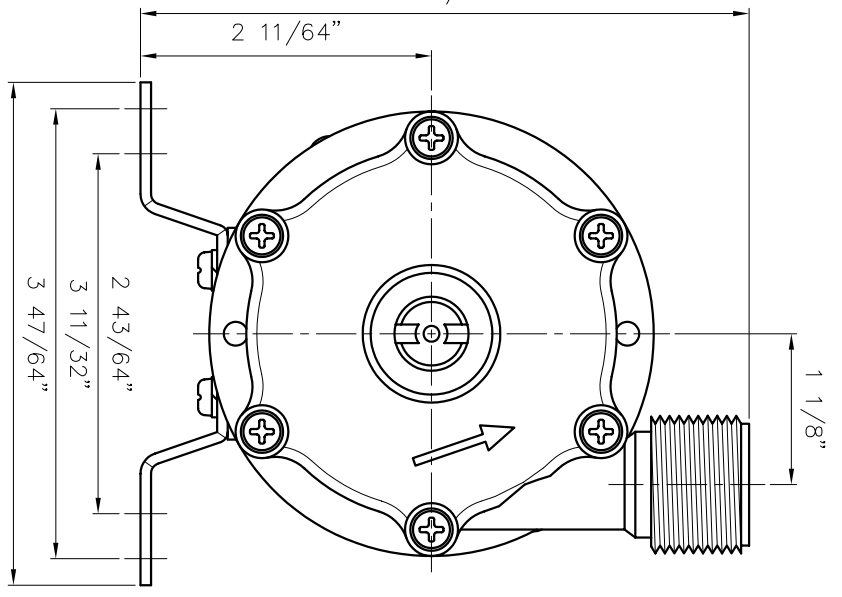


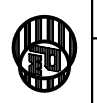
RED WIRE FOR "+"
BLACK WIRE FOR "-"



DIMENSION TOLERANCE : JIS 16 CLASS

⌀	APPROVED		MDL NAME	NH-40PX-D	NH-40PX-D-F
UNIT	CHECK	08 06 02	DWG. NAME	NH-40PX-D-N	INSTALLATION DRAWING
SCALE	DESIGN	09 14 98	DWG. NO.	B1041542	A3
EDITION	DR.BY	08 06 02 BECKY			

TPW
HONG YUAN



PAN WORLD CO., LTD.
パンワールド株式会社