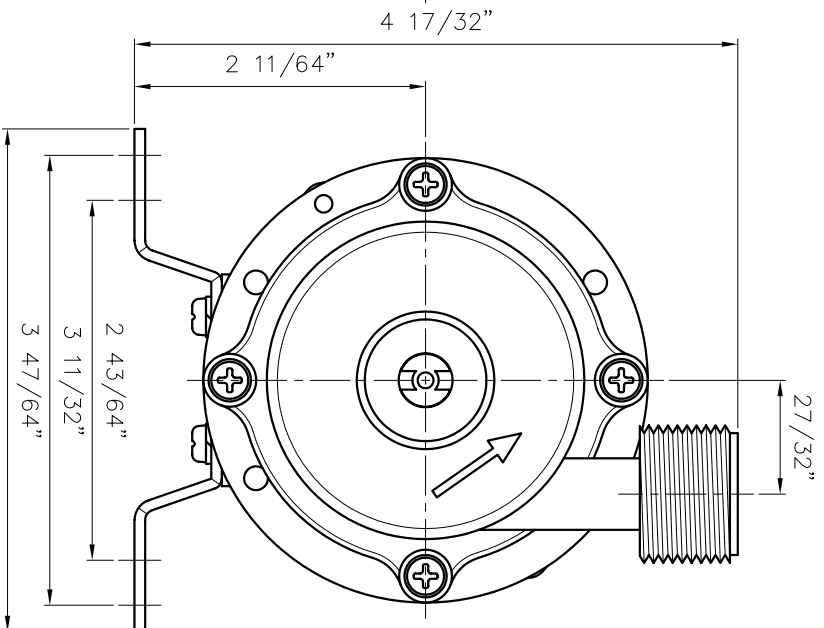


RED WIRE FOR "+"  
BLACK WIRE FOR "-"



DIMENSION TOLERANCE : JIS 16 CLASS

⊕	APPROVED		MDL. NAME	NH-30PX-D	NH-30PX-D-F
⊕	CHECK	08 06 02	DWG. NAME	NH-30PX-D-N	INSTALLATION DRAWING
SCALE	DESIGN	09 14 98	DWG. NO.	B1031540	A3
EDITION	DR.BY	08 06 02 BECKY			

TPW  
HONG YUAN



PAN WORLD CO., LTD.  
パンワールド株式会社