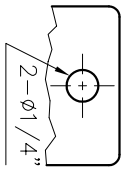
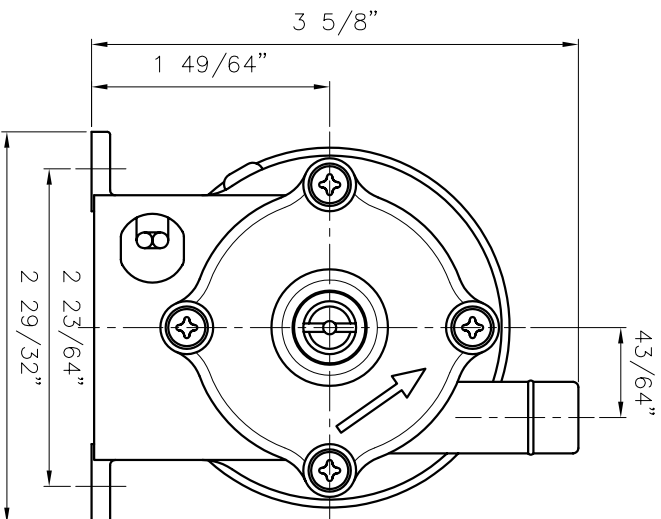


RED WIRE FOR "+"
BLACK WIRE FOR "-"



DIMENSION TOLERANCE : JIS 16 CLASS

APPROVED	MDL NAME	NH-5PX-D	NH-10PX-D	NH-5PX-Z-D
CHECK	DWG. NAME	NH-5PX-D-N	NH-10PX-D-N	NH-5PX-Z-D-N
DESIGN	DWG. NO.	06 04 98	B1011261	INSTALLATION DRAWING
DR.BY	EDITION	08 05 02 BECKY	2	A3

TPW
HONG YUAN



PAN WORLD CO., LTD.
パンワールド株式会社