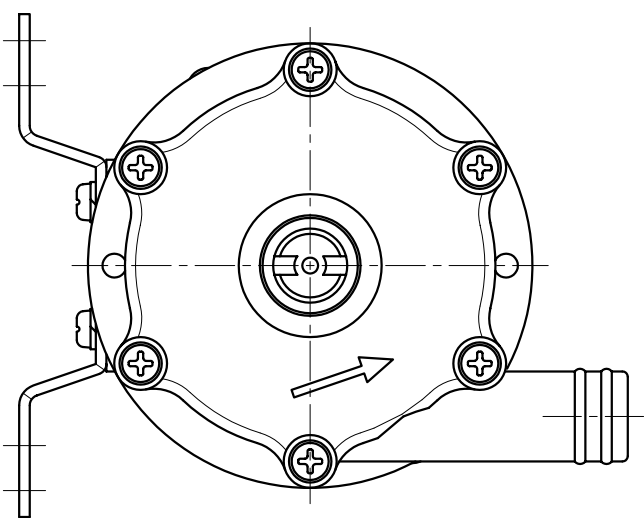
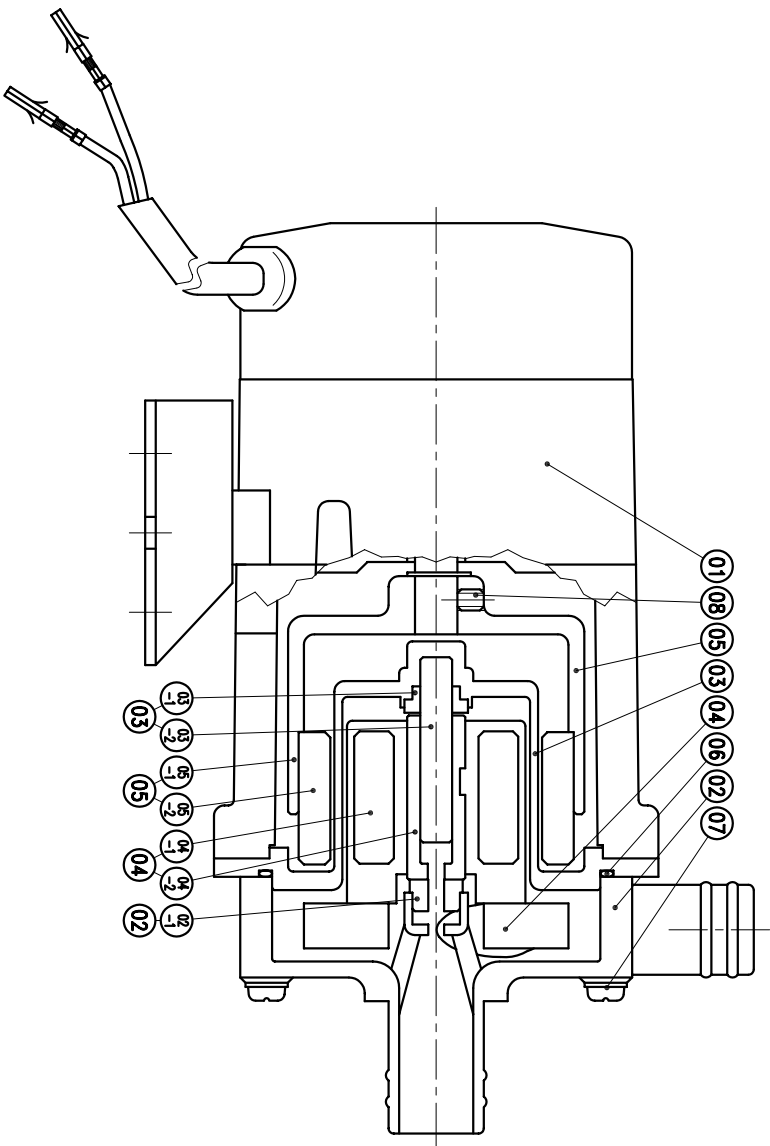


02-1	FRONT THRUST PAD	1	SIC	P2221105	04-1	INNER MAGNET	1	FERRITE	φ31X25	P2441485	08	SET SCREW	2	S435	M4X5	P9119420
			RULON	P2221303	04	IMPELLER VANE	1	ETFE	φ50X44	P2401040	07	SCREW,GROSS RECESS HEAD w/L P.W.(φ8Xφ4.3X10.8)	6	SUS304	M4X30	A9111026
02	FRONT CASING	1	ETFE	P2211039	03-2	SPINDLE	1	SIC	φ6X35	P2331290	06	O. RING	1	FKM	φ62.5Xφ2	S63
01	MOTOR	BRUSH LESS , 17W , DC12V , DC24V	P2211039	NOTE	03-1	REAR THRUST PAD	1	ETFE	φ74X47	P2301038	05-2	OUTER MAGNET	1	FERRITE	φ52Xφ40X25	P2521486
											03	REAR CASING	1	ETFE	φ56Xφ54.5	P2501197

04-2	BEARING	1	SIC	φ11X31	P2461767
05	OUTER DRIVE RING	1	CERAMIC	φ56X54.5	P2461481



G : 3/4"X 3/4"
NPT : 3/4"X 3/4"

APPROVED	CHECK	08.03.02	MDL NAME	NH-4OPX-D-F
CHECK	DESIGN	10.23.96	DWG. NAME	CONSTRUCTION DRAWING
SCALE	DR.BY	08.03.02 BECKY	DWG. NO.	B2041549
EDITION				A3

TPW
HONG YUAN

PAN WORLD CO., LTD.
パンワールド株式会社