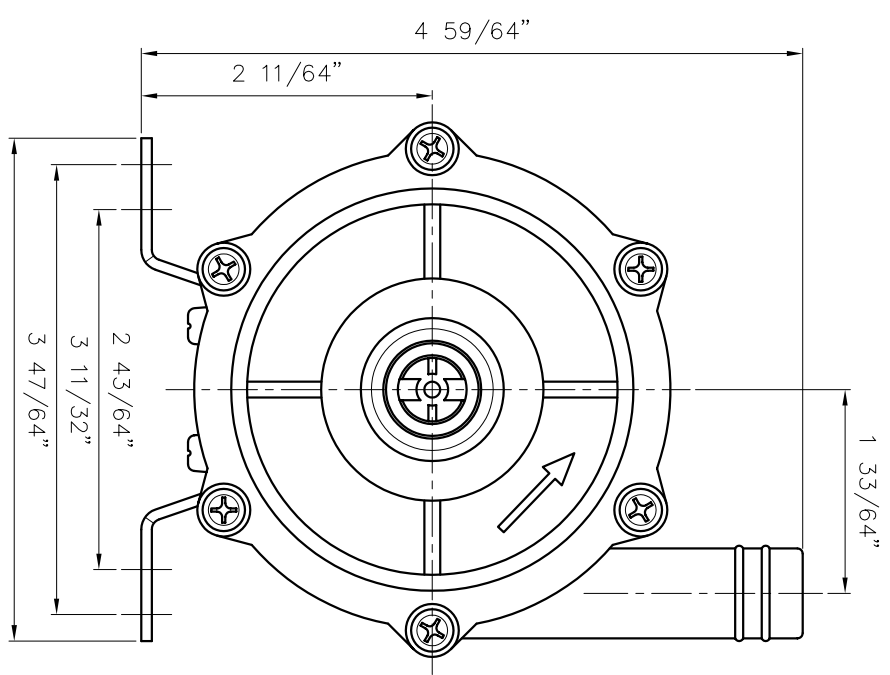


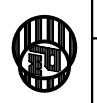
RED WIRE FOR "+"
BLACK WIRE FOR "-"



DIMENSION TOLERANCE : JIS 16 CLASS

APPROVED	MDL NAME	NH-50PX-Z-D NH-50PX-Z-D-F
CHECK	DWG. NAME	NH-50PX-Z-D-N INSTRUCTION DRAWING
DESIGN	DWG. NO.	B1051537 A3
DR.BY		
EDITION		
UNIT		
SCALE		

TPW
HONG YUAN



PAN WORLD CO.,LTD.
パンワールド株式会社