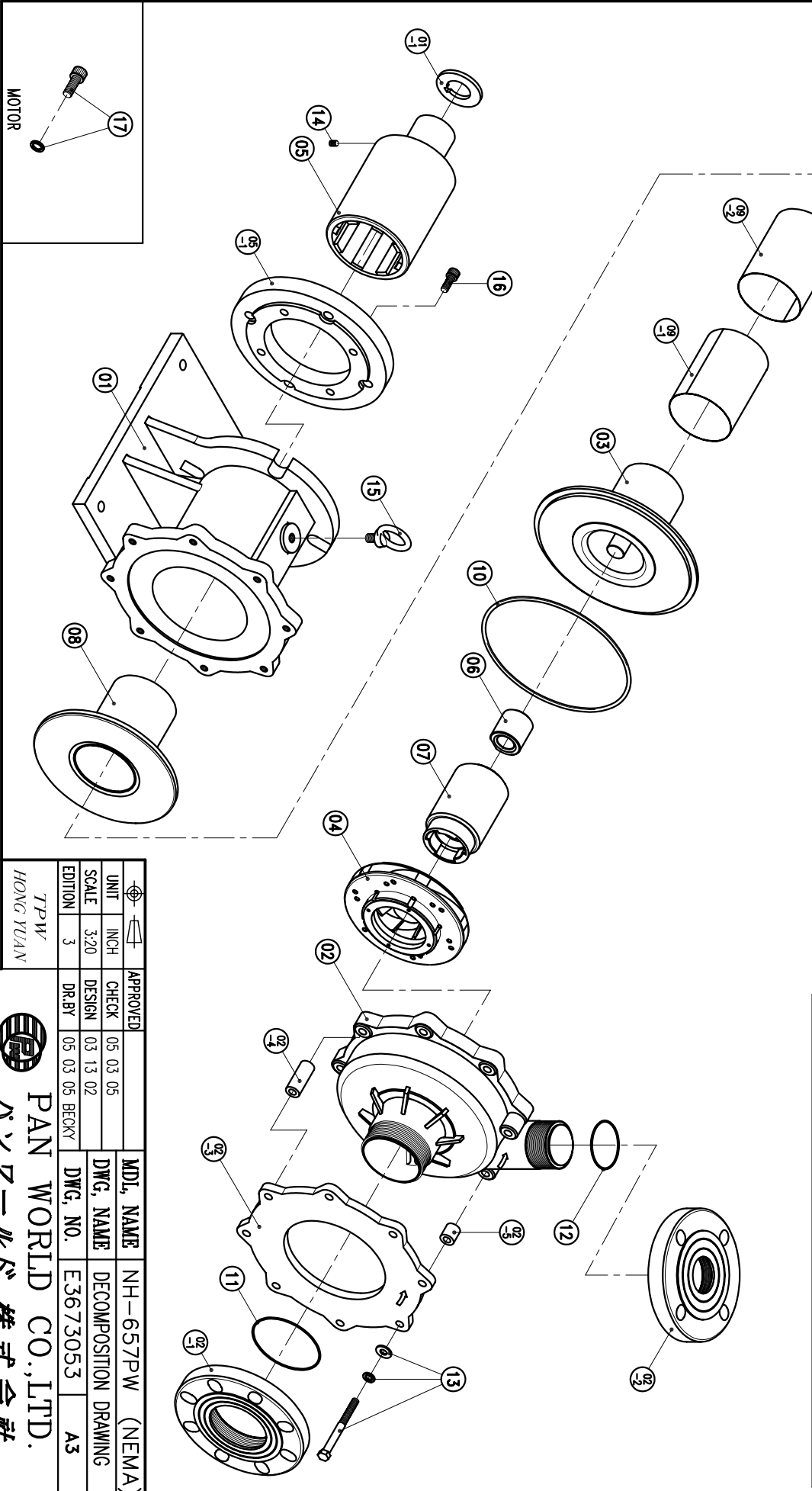


NO	PART NAME	Q'TY	MATERIAL	NOTE	PART NO.	NO	PART NAME	Q'TY	MATERIAL	NOTE	PART NO.					
02-5	SLEEVE	2	SUS304	φ20X21.5		09-2	PTFE BOARD	1	PTFE	281.8X122.9	17	HEXAGON SOCKET BOLT	4	SUS304	1/2"-13x 1/4"	
02-4	SLEEVE	6	SUS304	φ20X50		09-1	PTFE BOARD	1	PTFE	278.6X122.9	16	HEXAGON SOCKET WASHER	4	SUS304	M10X25	
02-3	RELIEF PLATE	1	FC-20	φ261X12		09	PTFE BOARD	2	PTFE	LX122.9	15	EYEBOLT	4	SUS304	M12X20	
02-2	FLANGE	1	PPG	65A	1003912314	08	REAR CASING COVER ASS'Y	1		φ210X137	1005210332	14	SET SCREW	2	S435	M8X10
02-1	FLANGE	1	PPG	80A	1003912315	07	INNER DRIVE RING	1	ETFE	φ79.6X124	1003210803	13	HEXAGON HEAD BOLT w/t SPRING WASHER	8	SUS304	M10X110
02	FRONT CASING	1	PPG	φ261X148	1003212300	06	BEARING	1	CERAMIC CARBON	φ44X46.5	1006517041	12	O. RING	1	FKM	G55
01-1	TRANSITION FLANGE	1	FC-20	φ228.6X24.1		05	OUTER DRIVE RING	1	FOD-45	φ122X223.5	1006611800	11	O. RING	1	FKM	G85
01	BRACKET	1	FC-20	φ261X208	1003210805	04	IMPELLER ASS'Y	1	ETFE	φ240X141	1006517041	10	O. RING	1	FKM	G220
						03	REAR CASING	1	ETFE	φ240X141	1035210331					



APPROVED		MDL. NAME	NH-657PW (NEMA)
CHECK	05 03 05	DWG. NAME	DECOMPOSITION DRAWING
DESIGN	03 13 02	DWG. NO.	E3673053
DR.BY	05 03 05 BECKY		A3

TPW
HONG YUAN
PAN WORLD CO., LTD.
パンワールド株式会社