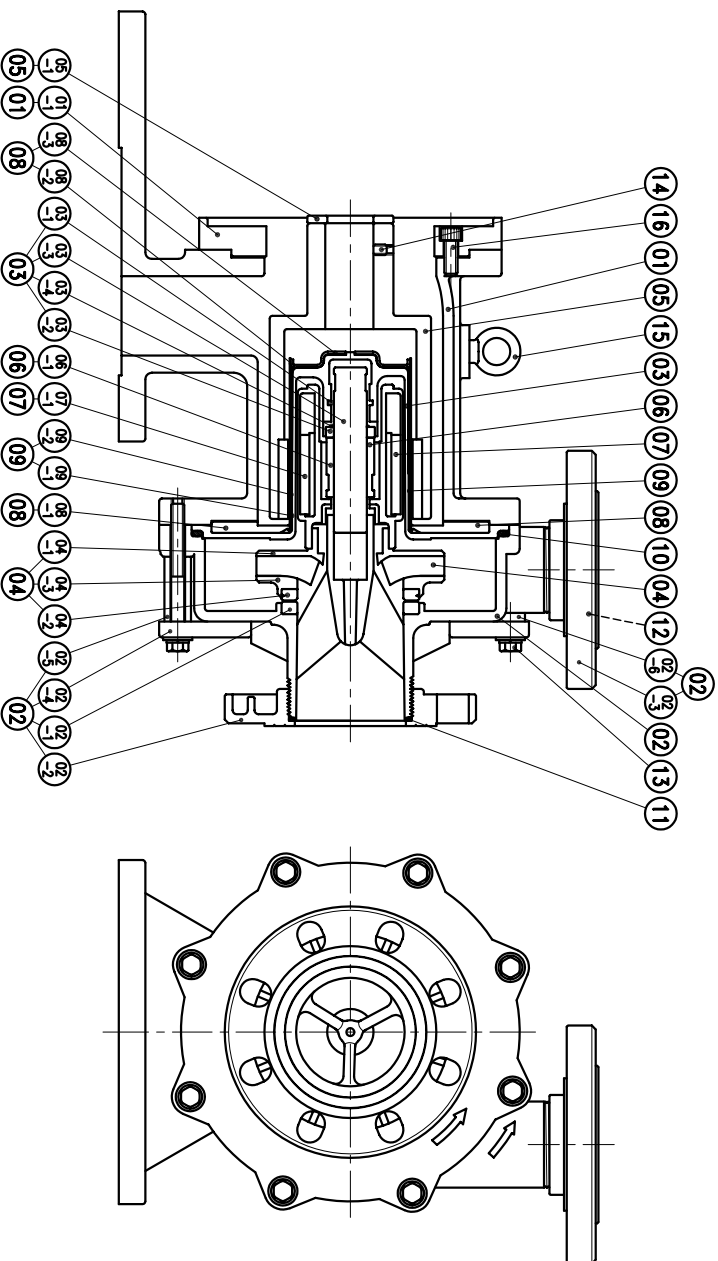


NO	PART NAME	Q'TY	MATERIAL	NOTE	DWG. NO.	NO	PART NAME	Q'TY	MATERIAL	NOTE	DWG. NO.
03-4	O. RING	1	FKM	φ24.4Xφ3.1	G25	08-2	PIPE	1	HASTELLOY C	φ90.4X133.5	A2119712
03-3	SPINDLE	1	CERAMIC	φ25X125	P2339005	08-1	BACK UP RING	1	SUS304	φ210X8.5	A2119285
03-2	REAR THRUST PAD	1	CERAMIC	φ37X8	P2329184	08	REAR CASING COVER ASS'Y	1	SUS304	φ210X137	P2114731
03-1	SPINDLE HOLDER	1	ETFE	φ41X131	P2379483	07-1	INNER MAGNET	1	Nd-Fe-B	φ76X93	P2449491
03	REAR CASING	1	ETFE	φ240X141	P2304738	07	INNER DRIVE RING	1	ETFE	φ79.6X124	P2439018
02-6	SLEEVE	2	SUS304	φ20X21.5	A2273365	06-1	BEARING	1	CERAMIC	φ36X45	P2469183
02-5	SLEEVE	6	SUS304	φ20X50	A2273365		BEARING	1	CARBON	φ44X46.5	P2469773
02-4	RELIEF PLATE	1	FC-20	φ261X12	A2273364	06	BEARING ASS'Y	1	ETFE	φ44X46.5	A2469553
02-3	FLANGE	1	PPG	65A	P2233892	05-1	RING	1	S45C	φ65X5.7	P2574346
02-2	FLANGE	1	PPG	80A	P2233893	05	OUTER DRIVE RING	1	FCD-45	φ122X223.5	P2504344
02-1	FRONT THRUST PAD	1	CERAMIC	φ104X9	P2224475	04-3	IMPELLER COVER	1	ETFE	φ175X20	P2454028
02	FRONT CASING	1	PPG	φ261X148	A2203366	04-2	MOUTH RING	1	RULON	φ104X9	P2424412
01-1	FRANSTION FLANGE	1	FC-20	φ228.6X24	HP2179308	04-1	IMPELLER NOUWENON	1	ETFE	φ175X44	P2414022
01	BRACKET	1	FC-20	φ261X208	A2123378	04	IMPELLER ASS'Y	1	ETFE	φ175X44	A2403119
						08-3	COVER	1	SUS304	φ90.4X12	A2119715
						17	HEXAGON SOCKET BOLT	4	SUS304	1/2"-13x1 1/4"	A9119381
						16	HEXAGON SOCKET BOLT	4	SUS304	M10X25	P9119154
						15	EYEBOLT	1	S41C	M12X20	P9114152
						14	SET SCREW	2	S435	M8X10	P9119160
						13	HEXAGON HEAD BOLT	8	SUS304	M10X110	P9113080
						12	O. RING	1	FKM	φ54.4Xφ3.1	G55
						11	O. RING	1	FKM	φ84.4Xφ3.1	G85
						10	O. RING	1	FKM	φ219.3Xφ5.7	G220
						09-2	PTFE BOARD	1	PTFE	281.8X122.9	A2119713
						09-1	PTFE BOARD	1	PTFE	278.6X122.9	A2119713
						09	PTFE BOARD	2	PTFE	LX122.9	A2119713



APPROVED	CHECK	SCALE	EDITION	MDL. NAME	DWG. NAME	DWG. NO.
05 03 05	02 18 00	1-4	3	NH-657PW (NEMA)	CONSTRUCTION DRAWING	E2673075
						A3

TPW
HONG YUAN



PAN WORLD CO., LTD.
パンワールド株式会社