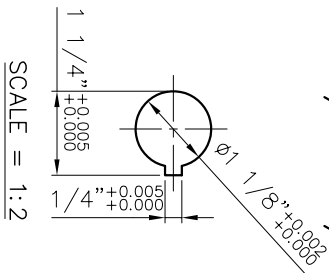
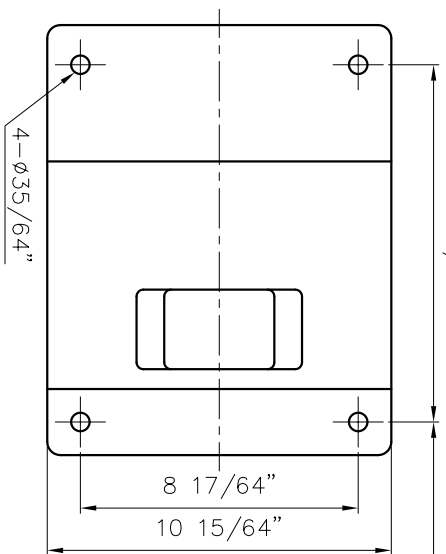


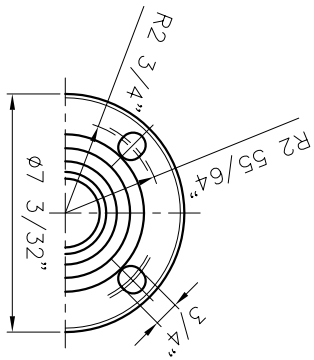
(L=2 23/64" +25/64")



SCALE = 1:2



A PORTION DIMENSION



DIMENSION TOLERANCE : JIS 16 CLASS

APPROVED	CHECK	DESIGN	DR.BY	MDL. NAME	DWG. NAME	DWG. NO.
	08 08 02	02 18 00	08 08 02 BECKY	NH-655PW	INSTALLATION DRAWING	B1653621
UNIT	SCALE	EDITION	TPW	(NEMA)		
INCH	1:4	2	HONG YUAN	NH-655PW-F		
				A3		



PAN WORLD CO., LTD.
パンワールド株式会社