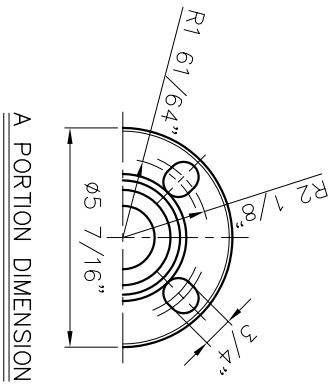
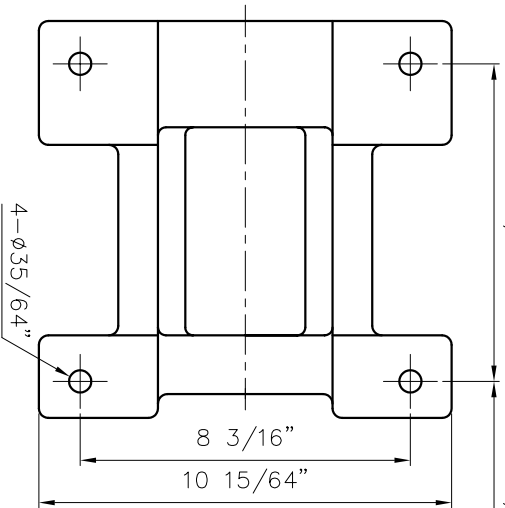


(L=2 3/4")



A PORTION DIMENSION

DIMENSION TOLERANCE : JIS 16 CLASS

UNIT	INCH	APPROVED		MDL. NAME	NH-405PW (NEMA)
SCALE	3:10	CHECK	12 03 02	DWG. NAME	NH-405PW-F
EDITION	2	DESIGN	07 17 00	DWG. NO.	B1453245
		DR.BY	12 03 02 BECKY		A3

TPW
HONG YUAN



PAN WORLD CO., LTD.
PANワールド株式会社