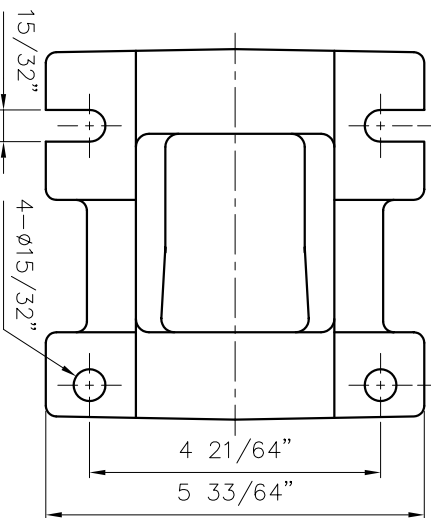


(L=1 7/8")



DIMENSION TOLERANCE : JIS 16 CLASS

APPROVED	CHECK	12 03 02	MDL, NAME	NH-400PW-F	(NEMA)
CHECK	DESIGN	10 01 99	DWG, NAME	INSTALLATION DRAWING	
SCALE	DR. BY	12 03 02 BECKY	DWG, NO.	B1403453	A3
UNIT	EDITION	2			

TPW
HONG YUAN



PAN WORLD CO., LTD.
パンワールド株式会社