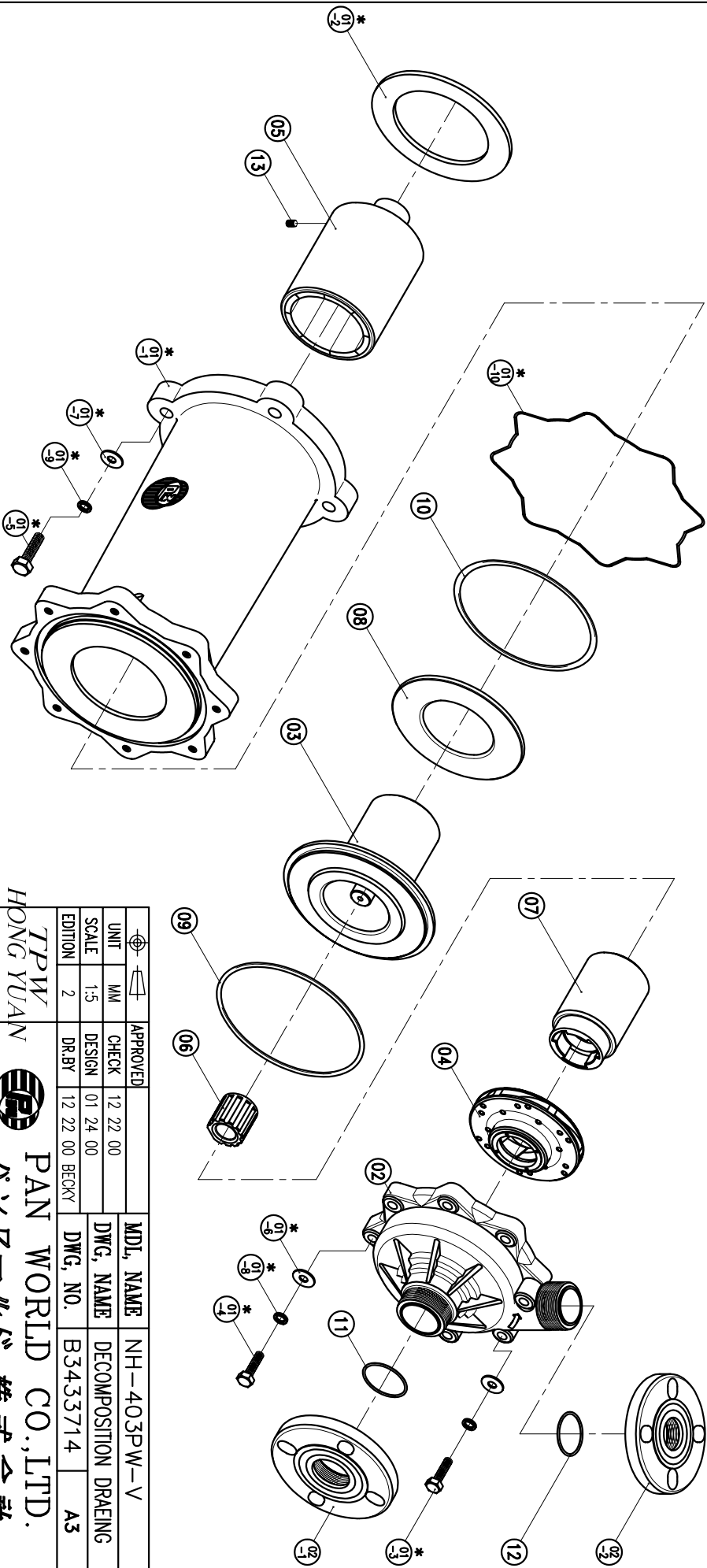


*01-9	SPRING WASHER	4	SUS304	M12	
*01-8	SPRING WASHER	8	SUS304	M8	
*01-7	PLAIN WASHER	4	SUS304	φ24Xφ12.5X2	
*01-6	PLAIN WASHER	8	SUS304	φ22Xφ8.5X1.5	
*01-5	BOLT,MOTOR	4	SUS304	M12X40	
*01-4	BOLT,FRONT CASING	5	SUS304	M8X35	
*01-3	BOLT,FRONT CASING	3	SUS304	M8X65	
*01-1	BRACKET	1	PPG	φ202X322	1084812320
*01	BRACKET AND BOLT ASS'Y		SUS304	OUT-OF-TANK INSTALLATION	
NO	PART NAME	Q'TY	MATERIAL	NOTE	PART NO.

*01-10	O. RING	1	S.VITON	φ202Xφ2	
*01-7	PLAIN WASHER	4	BR348GR2(I)	φ26Xφ12.5X2	
*01-5	BOLT,MOTOR	4	BR348GR2(I)	M12X40	
*01-4	BOLT,FRONT CASING	5	VITON COATED	M8X35	
*01-3	BOLT,FRONT CASING	3	VITON COATED	M8X65	
*01-1	BRACKET	1	PPG	φ202X322	
*01	BRACKET AND BOLT ASS'Y		VITON COATED	IN-TANK INSTALLATION	
*01-7	PLAIN WASHER	4	BR348GR2(I)	φ26Xφ12.5X2	
*01-6	PLAIN WASHER	8	BR348GR2(I)	φ19Xφ8.5X1.2	
*01-5	BOLT,MOTOR	4	BR348GR2(I)	M12X40	
*01-4	BOLT,FRONT CASING	5	BR348GR2(I)	M8X35	
*01-3	BOLT,FRONT CASING	3	BR348GR2(I)	M8X65	
*01-1	BRACKET	1	PPG	φ202X322	1084812320
*01	BRACKET AND BOLT ASS'Y		BR348 GR2(I)	IN-TANK INSTALLATION	
NO	PART NAME	Q'TY	MATERIAL	NOTE	PART NO.

13	SET SCREW	2	SCM-3	M8X10	
12	O. RING	1	VITON	G45	1003012700
11	O. RING	1	VITON	G50	1003912311
10	O. RING	1	VITON	G165	
09	O. RING	1	VITON	G175	1003012302
08	BACK UP RING	1	SUS304	φ164X5.5	1003012100
07	INNER DRIVE RING	1	PPG	φ79.6X124	
06	BEARING ASS'Y	1	SIC		1003210804
05	OUTER DRIVE RING	1	CERAMIC RULON CARBON	φ44X46.5	1003210803
04	IMPELLER ASS'Y	1	PPG	φ118X183.5	1003311800
03	REAR CASING ASS'Y	1	PPG	φ186.5X144	1004012360
02-2	FLANGE	1	PPG	40A	1003011600
02-1	FLANGE	1	PPG	50A	1003912310
02	FRONT CASING	1	PPG	φ202X113	1003212300
01-2	TRANSITION FLANGE	1	S45C	φ145Xφ100X5	
NO	PART NAME	Q'TY	MATERIAL	NOTE	PART NO.



UNIT	MM	APPROVED	
SCALE	1:5	CHECK	12 22 00
EDITION	2	DESIGN	01 24 00
		DR.BY	12 22 00 BECKY
MDL. NAME	NH-403PW-V		
DWG. NAME	DECOMPOSITION DRAING		
DWG. NO.	B3433714		A3

TPW HONG YUAN
PAN WORLD CO.,LTD.
パナワールド 株式会社