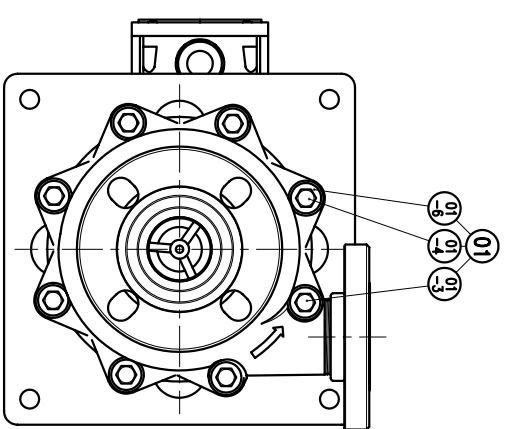
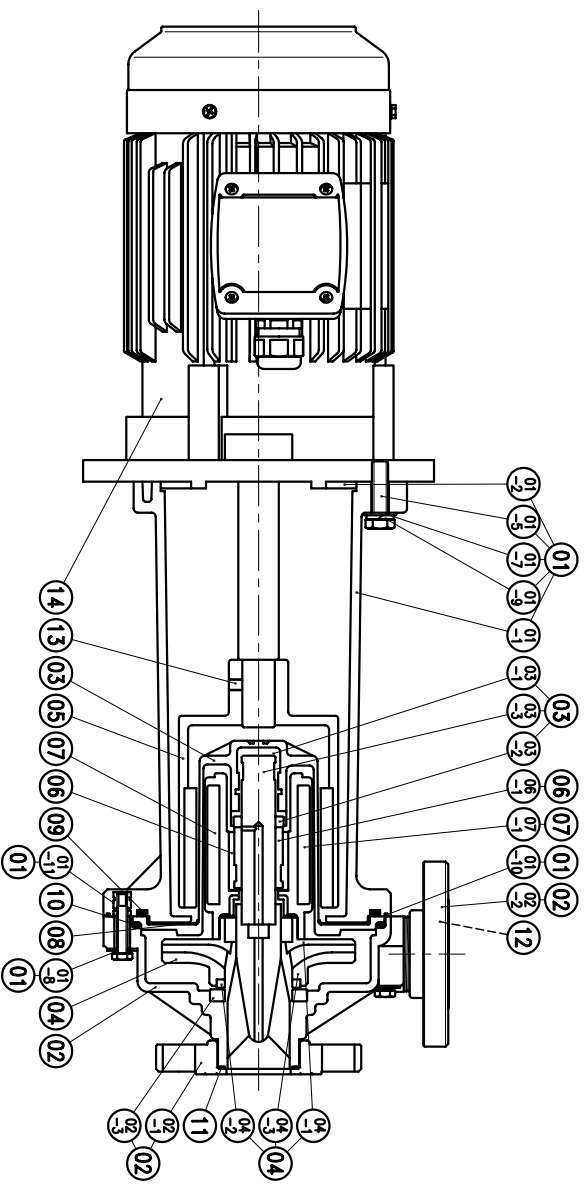


*01-7	PLAIN WASHER	4	BR348GR2(T)	φ26Xφ12.5X2																						
*01-6	PLAIN WASHER	8	BR348GR2(T)	φ19Xφ8.5X1.2																						
*01-5	BOLT MOTOR	4	BR348GR2(T)	M12X40		02-3	FRONT THRUST PAD	1	PPG	φ186.5X144	P2309178	13	SET SCREW	2	SCM-3	M8X10										
*01-4	BOLT FRONT CASING	5	BR348GR2(T)	M8X35		02-2	FLANGE	1	PPG	φ72X9	P2229315	12	O. RING	1	VITON	G45										
*01-3	BOLT FRONT CASING	3	BR348GR2(T)	M8X65		02-1	FLANGE	1	PPG	40A	P2233172	11	O. RING	1	VITON	G50										
*01-1	BRACKET	1	PPG	φ202X322	A2123156	02	FRONT CASING	1	PPG	50A	P2233411	10	O. RING	1	VITON	G165										
*01	BRACKET AND BOLT ASSY	BR348 GR2(T)	IN-TANK INSTALLATION			01-1	SCREW	8	BR348GR2(T)	φ13X18(M8)	P9223899	08	BACK UP RING	1	SUS304	φ164X5.5										
*01-9	SPRING WASHER	4	SUS304	M12		01-2	TRANSITION FLANGE	1	S45C	φ145Xφ100X5	A2173012	07	INNER DRIVE RING	1	PPG	φ79.6X124										
*01-8	SPRING WASHER	8	SUS304	M8																						
*01-7	PLAIN WASHER	4	SUS304	φ24Xφ12.5X2		01-10	O. RING	1	S.VITON	φ202Xφ2	A2173012	06-1	BEARING	1	SIC	φ44X45										
*01-6	PLAIN WASHER	8	SUS304	φ22Xφ8.5X1.5		*01-7	PLAIN WASHER	4	BR348GR2(T)	φ26Xφ12.5X2		06	BEARING ASSY	1	GERMANIC RULON/CARBON	φ44X46.5										
*01-5	BOLT MOTOR	4	SUS304	M12X40		*01-5	BOLT MOTOR	4	BR348GR2(T)	M12X40		05	OUTER DRIVE RING	1	FCD-45	φ118X183.5										
*01-4	BOLT FRONT CASING	5	SUS304	M8X35		*01-4	BOLT FRONT CASING	5	VITON COATED	M8X35	P9123898	04-3	IMPELLER COVER	1	PPG	φ160X27.8										
*01-3	BOLT FRONT CASING	3	SUS304	M8X65		*01-3	BOLT FRONT CASING	3	VITON COATED	M8X65	P9123898	04-2	MOUTH RING	1	RULON	φ63X8										
*01-1	BRACKET	1	PPG	φ202X322	A2123156	*01-1	BRACKET	1	PPG	φ202X322	A2123213	04-1	IMPELLER NOUWENON	1	PPG	φ160X44										
*01	BRACKET AND BOLT ASSY	SUS304	OUT-OF-TANK INSTALLATION			*01	BRACKET AND BOLT ASSY	VITON COATED	IN-TANK INSTALLATION			04	IMPELLER ASSY	1	PPG	φ2419024										
												03-3	SPINDLE	1	SIC	φ25X125										
												03-2	REAR THRUST PAD	1	GERMANIC RULON/CARBON	φ37X8										



APPROVED		MDL. NAME	NH-402PW-V
UNIT	MM	DWG. NAME	CONSTRUCTION DRAWING
SCALE	1:4	DWG. NO.	B2423574
EDITION	2	DR. BY	12 14 00 BECKY
CHECK		12 14 00	
DESIGN		01 24 00	
DR. BY		12 14 00 BECKY	
TPW HONG YUAN		PAN WORLD CO., LTD.	
HONG YUAN		株式会社	
		A3	