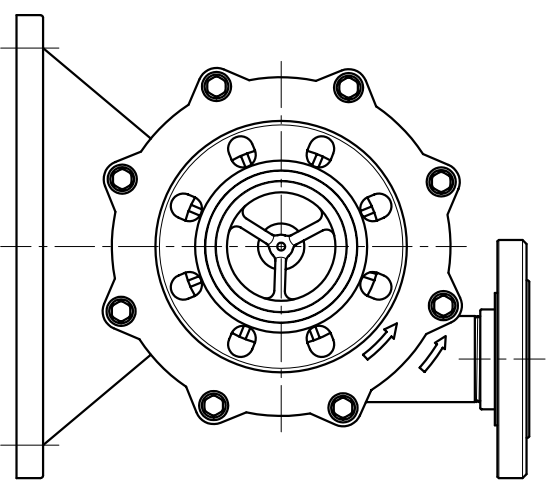
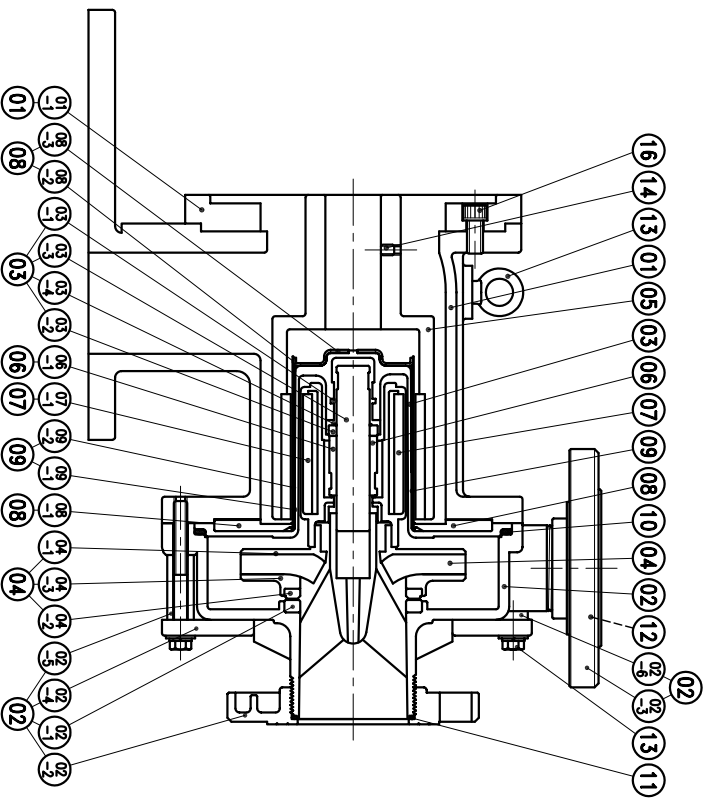


03-2	REAR THRUST PAD	1	SIC	P2329188	08-1	BACK UP RING	1	SUS304	0210X8.5	A2119285	17	HEXAGON HEAD BOLT	4	SUS304	1/2"-13X1 1/4"		
			CERAMIC	P2329184	08	REAR CASING COVER ASS'Y	1		0210X137	P2114731		w/t S.W. (1/2")					
03-1	SPINDLE HOLDER	1	ETFE	P2379483	07-1	INNER MAGNET	1	N6-Fe-B	076X93	P2444492	16	HEXAGON SOCKET BOLT	4	SUS304	M12X25	P9119087	
03	REAR CASING	1	ETFE	0240X141	P2304738	07	INNER DRIVE RING	1	ETFE	079.6X124	P2439018	15	EYEBOLT	1	S41C	M12X20	P9114152
02-6	SLEEVE	2	SUS304	020X21.5	A2273365	06-1	BEARING	1	036X45	P2469772	14	SET SCREW	2	S435	M8X10	P9119160	
02-5	SLEEVE	6	SUS304	020X50	A2273365	06	BEARING ASS'Y	1	044X46.5	A2469553	13	HEXAGON HEAD BOLT	8	SUS304	M10X110	P9113080	
02-4	RELIEF PLATE	1	FC-20	0261X12	A2273364	05	BEARING ASS'Y	1	044X46.5	A2469553		w/t S.W. (M10)					
02-3	FLANGE	1	ETFE	65A	P2233892	04-5	OUTER DRIVE RING	1	0122X246.5	P2504347		w/t P.W. (022X010X12)					
02-2	FLANGE	1	ETFE	80A	P2233893	04-3	IMPELLER COVER	1	0175X20	P2454028	12	O. RING	1	FKM	05.4.4X03.1	G55	
02-1	FRONT THRUST PAD	1	SIC	0104X9	P2224475	04-2	MOUTH RING	1	0104X9	P2424412	11	O. RING	1	FKM	08.4.4X03.1	G85	
			CERAMIC	0254X21.6	P2179309	04-1	IMPELLER NOU-MENON	1	0175X44	P2414022	10	O. RING	1	FKM	0219.3X05.7	G220	
02	FRONT CASING	1	ETFE	0261X148	A2203366	04	IMPELLER ASS'Y	1	024.4X03.1	G25	09-2	PTFE BOARD	1	PTFE	281.8X122.9	A2119713	
01-1	BRACKET	1	FC-20	0261X226.5	A2123379	03-4	O. RING	1	025X125	P2339005	09-1	PTFE BOARD	1	PTFE	278.6X122.9	A2119713	
						03-3	SPINDLE	1			09	PTFE BOARD	2	PTFE	LX122.9	A2119713	
											08-3	COVER	1	SUS304	090.4X12	A2119715	
											08-2	PIPE	1	HASTELOY C	090.4X133.5	A2119712	



UNIT	INCH	CHECK	05 03 05	MDL NAME	NH-651SPW-F (NEMA)
SCALE	1-4	DESIGN	03 14 00	DWG. NAME	CONSTRUCTION DRAWING
EDITION	3	DR.BY	05 03 05 BECKY	DWG. NO.	E2693089
					A3

TPW  
HONG YUAN

 PAN WORLD CO., LTD.  
パナワールド株式会社