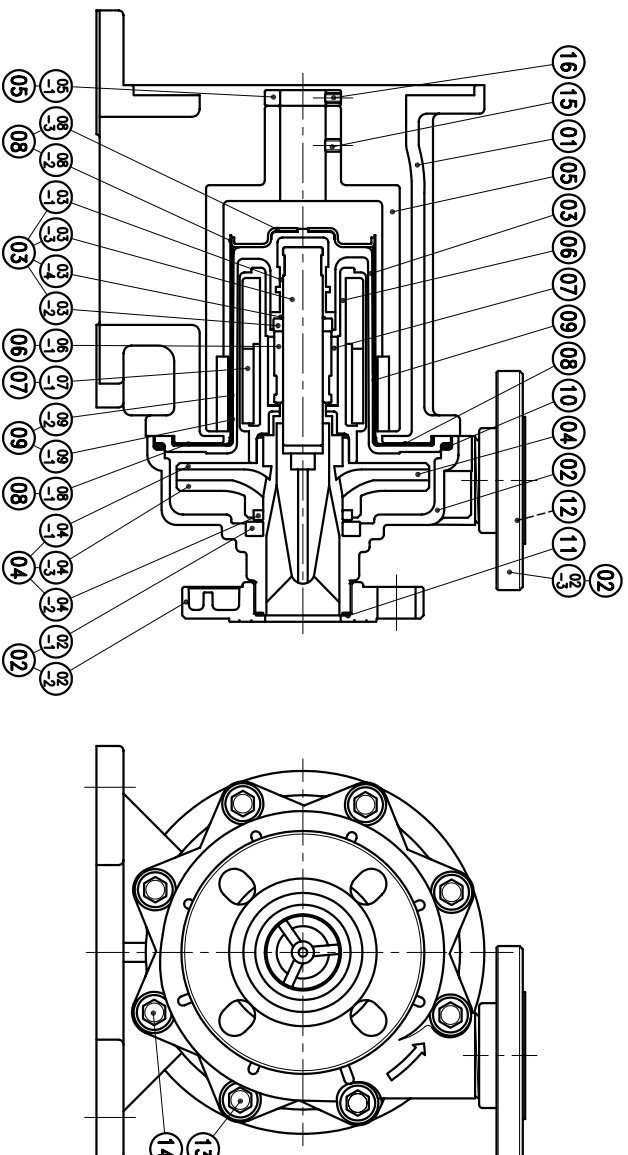


NO	PART NAME	QTY	MATERIAL	NOTE	DWG. NO.	NO	PART NAME	QTY	MATERIAL	NOTE	DWG. NO.				
04	IMPELLER ASS'Y	1	ETFE		P2409029	08-2	PIPE	1	HASTELLOY	φ90.4X127.5/A2119716	17	HEXAGON SOCKET BOLT	4	SUS304	1/2" - 13X1" A9119381
03-4	O. RING	1	FKM	φ24.4Xφ3.1	G25	08-1	BACK UP RING	1	SUS304	φ164X5.5 P2119714	16	SET SCREW	1	S435	M6X10 P9116430
03-3	SPINDLE	1	CERAMIC	φ25X125	P2339005	08	REAR CASING COVER	1		φ164X137 A2119717	15	SET SCREW	2	S435	M8X10 P9119160
03-2	REAR THRUST PAD	1	SIC	φ37X8	P2329188	07-1	INNER MAGNET	1	Nd-Fe-B	φ76X93 P2449491	14	HEXAGON HEAD BOLT	5	SUS304	M10X35 P9113080
03-1	SPINDLE HOLDER	1	CERAMIC	φ41X131	P2379483	06-1	BEARING	1	CERAMIC CARBON RULON	φ36X45 P2469183 P2469773 A2469348	13	HEXAGON HEAD BOLT	3	SUS304	M10X65 P9113080
03	REAR CASING	1	ETFE	φ186.5X140	P2309737	06	BEARING ASS'Y	1	ETFE	φ44X46.5 A2469553	12	O. RING	1	FKM	φ44.4Xφ3.1 G45
02-3	FLANGE	1	ETFE	40A	P2233172	05-1	RING	1	S45C	φ48X9.8 P2579342	11	O. RING	1	FKM	φ49.4Xφ3.1 G50
02-2	FLANGE	1	ETFE	50A	P2233411	05	OUTER DRIVE RING	1	FCD-45	φ122X205 P2509341	10	O. RING	1	FKM	φ174.3Xφ5.7 G175
02-1	FRONT THRUST PAD	1	SIC	φ72X9	P2229315	04-3	IMPELLER COVER	1	ETFE	φ160X25 P2459026	09-2	PTFE BOARD	1	PTFE	281.8X122.9/A2119713
02	FRONT CASING	1	ETFE	φ202X113	P2203180	04-2	MOUTH RING	1	RULON	φ63X8 P2429006	09-1	PTFE BOARD	1	PTFE	278.6X122.9/A2119713
01	BRACKET	1	FC-20	φ202X221	A2123121	04-1	IMPELLER NOUWENON	1	ETFE	φ160X44 P2419024	09	PTFE BOARD	2	PTFE	LX122.9 A2119713
						108-3	COVER	1	SUS304	φ90.4X12 A2119715					



APPROVED	CHECK	DESIGN	DR.BY	MDL. NAME	DWG. NAME	DWG. NO.
	05 03 05	11 23 96	05 03 05 BECKY	NH-405PW-F (NEMA)	CONSTRUCTION DRAWING	E2453085
						A3

TPW  
HONG YUAN



PAN WORLD CO., LTD.  
パンワールド株式会社