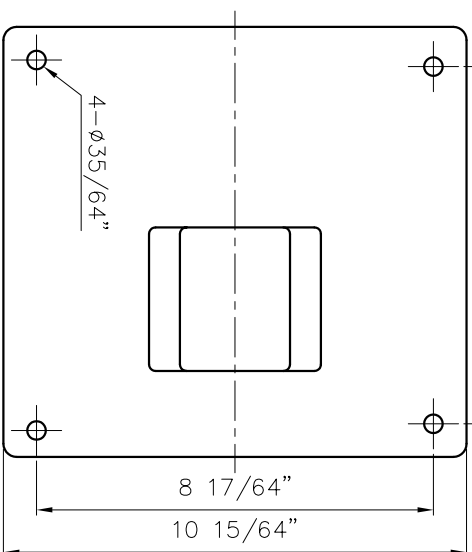


(L=4")

SCALE = 1:2



DIMENSION TOLERANCE : JIS 16 CLASS

APPROVED	CHECK	08 07 02	MDL NAME	NH-6515FW	(NEMA)
DESIGN	03 13 00	03 13 00	DWG. NAME	INSTALLATION DRAWING	
DR.BY	08 07 02	08 07 02	DWG. NO.	B1693623	A3

TPW
HONG YUAN



PAN WORLD CO., LTD.
PANワールド株式会社