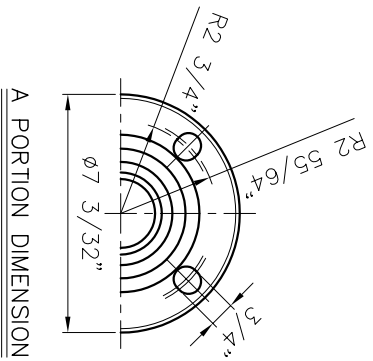
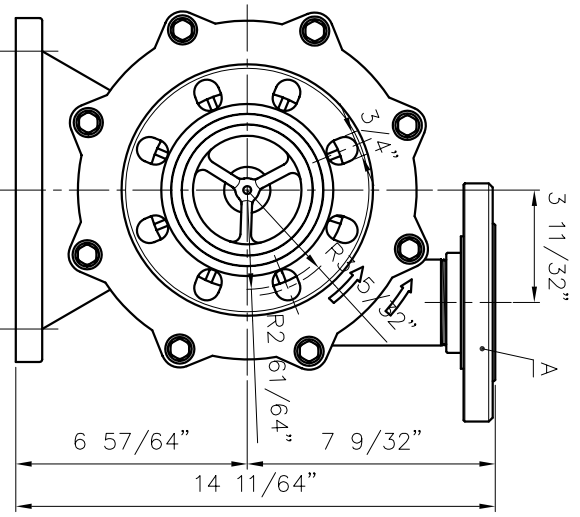


SCALE = 1:2

DIMENSION TOLERANCE : JIS 16 CLASS



A PORTION DIMENSION

APPROVED	CHECK	08 08 02	MDL NAME	NH-657PW-NH-657PW-F (NEMA)
CHECK	DESIGN	06 24 00	DWG. NAME	INSTALLATION DRAWING
DESIGN	DR.BY	08 08 02 BECKY	DWG. NO.	B1673622
DR.BY	EDITION	2		A3

TPW  
HONG YUAN

PAN WORLD CO., LTD.  
パンワールド株式会社