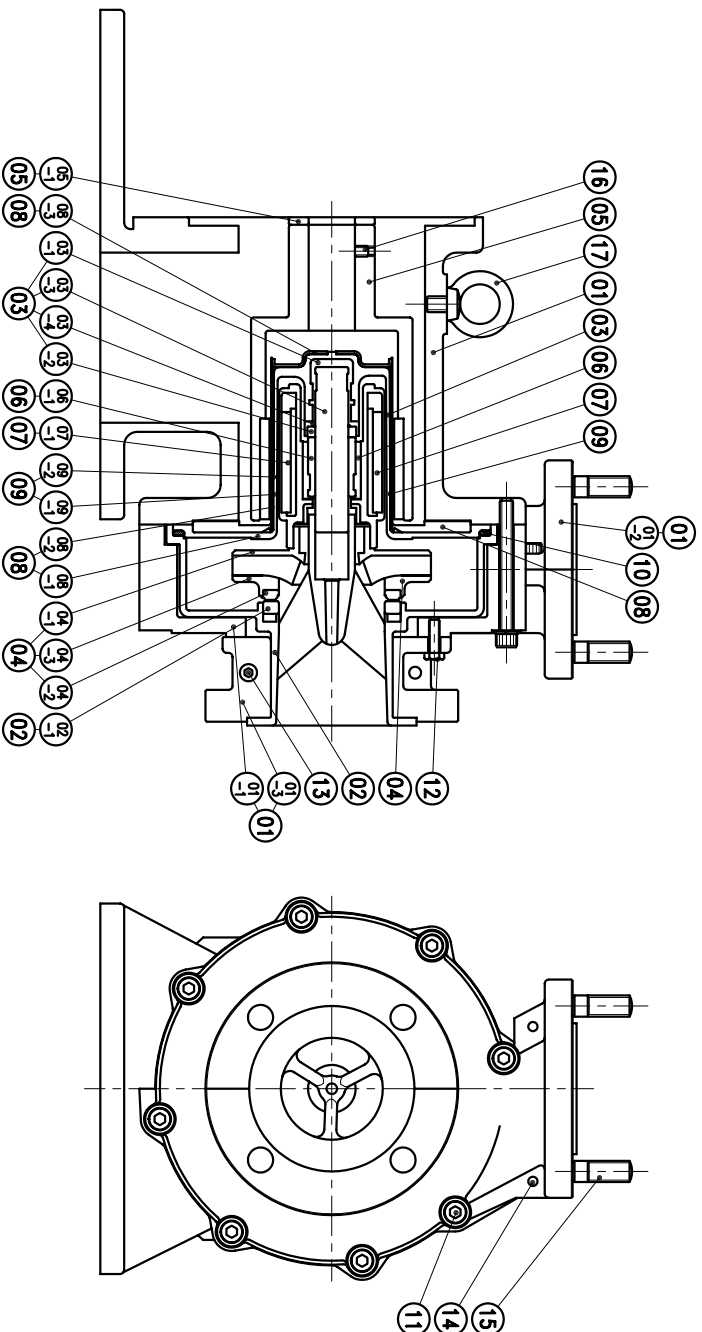


03-4	0. RING	1	FKM	φ24.4Xφ3.1	G25	08-3 COVER	1	SUS304	φ90.4X12	A2119715	18	HEXAGON SOCKET BOLT	4	SUS304	1/2"-13x1 1/4"	
03-3	SPINDLE	1	SIC	φ25X125	P2339005	08-2 PIPE	1	HASTELLOY Cφ90.4X133.5	A2119712		17	EYE BOLT	1	S41C	M12	P9114152
			CERAMIC			08-1 BACK UP RING	1	SUS304	φ210X8.5	A2119285	16	SET SCREW	2	S435	M8X10	P9119160
03-2	REAR THRUST PAD	1	SIC	φ37X8	P2329188	REAR CASING COVER	1		φ210X1.37	P2114731	15	STUD BOLT	4	SUS304	5/8"-11 UNC	A9114720
			CERAMIC			07-1 INNER MAGNET	1	Nd-Fe-B	φ76X93	P2444186	14	HEXAGON SOCKET BOLT	2	SUS304	M6X25	P9119156
03-1	SPINDLE HOLDER	1	ETFE	φ41X131	P2379483	INNER DRIVE RING	1	ETFE	φ79.6X124	P2439018	13	HEXAGON SOCKET BOLT	2	SUS304	M8X20	P9119155
			ETFE	φ240X140	A2309706	06-1 BEARING	1	CERAMIC CARBON	φ36X45	P2469772	12	HEXAGON HEAD BOLT	4	SUS304	M8X20	P9119079
02-1	FRONT THRUST PAD	1	SIC	φ104X9	P2224475	BEARING ASS'Y	1	ETFE	φ44X46.5	A2469553	11	HEXAGON SOCKET BOLT	8	SUS304	M10X100	P9119154
			CERAMIC			05-1 RING	1	S45C	φ65X5.7	P2574346	10	0. RING	1	FKM	φ219.3Xφ5.7	G220
02	FRONT CASING	1	ETFE	φ250X152	P2214741	OUTER DRIVE RING	1	FCD-45	φ122X223.5	P2504344	09-2	PTFE BOARD	1	PTFE	281.8X122.9	A2119713
01-3	COVER C	1	FC-20	φ200X64	A2154015	IMPELLER COVER	1	ETFE	φ175X20	P2454028	09-1	PTFE BOARD	1	PTFE	278.6X122.9	A2119713
01-2	COVER B	1	FC-20	φ165X40	A2144024	MOUTH RING	1	RULON	φ104X9	P2414022	09-1	PTFE BOARD	1	PTFE	278.6X122.9	A2119713
01-1	COVER A	1	FC-20	φ264X85	A2134016	IMPELLER NOUМЕНON	1	ETFE	φ175X44	P2414022	09	PTFE BOARD	2	PTFE	L X 122.9	A2119713
01	BRACKET	1	FC-20	φ264X232.2	A2124005	IMPELLER ASS'Y	1	ETFE		P2404031						



APPROVED		MDL NAME	NH-6510PW-C (NEMA)
CHECK	05 03 05	DWG. NAME	CONSTRUCTION DRAWING
DESIGN	01 11 02	DWG. NO.	B2684731
DR.BY	05 03 05 BECKY		A3

TPW
HONG YUAN



PAN WORLD CO., LTD.
パンワールド株式会社