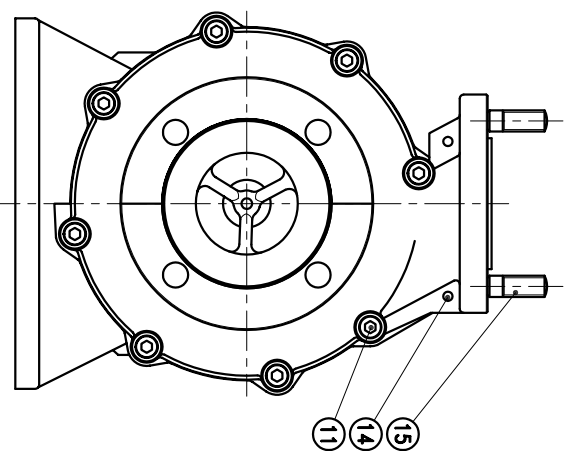
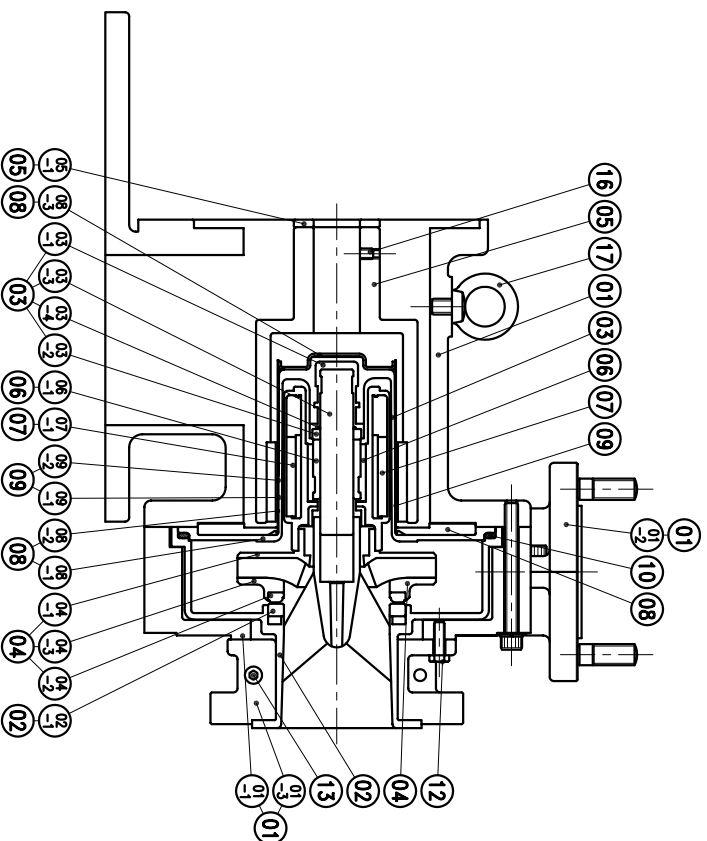


03-4	O. RING	1	FKM	φ24.4Xφ3.1	G25	08-3	COVER	1	SUS304	φ90.4X12	A2119715	18	HEXAGON SOCKET BOLT	4	SUS304	1/2"-13x1 1/4"
03-3	SPINDLE	1	SIC	φ25X125	P2339005	08-2	PIPE	1	HASTELLOY C	φ90.4X133.5	A2119712	17	EYE BOLT	1	S41C	M12
			CERAMIC			08-1	BACK UP RING	1	SUS304	φ210X8.5	A2119285	16	SET SCREW	2	S435	M8X10
03-2	REAR THRUST PAD	1	SIC	φ37X8	P2329188	08	REAR CASING COVER	1		φ210X137	P2114731	15	STUD BOLT	4	SUS304	5/8"-11 UNC A9114720
			CERAMIC			07-1	INNER MAGNET	1	Nd-Fe-B	φ76X93	P2444185	14	HEXAGON SOCKET BOLT	2	SUS304	M6X25
03-1	SPINDLE HOLDER	1	ETFE	φ41X131	P2379483	07	INNER DRIVE RING	1	ETFE	φ79.6X124	P2439018	13	HEXAGON SOCKET BOLT	2	SUS304	M8X20
			ETFE			06-1	BEARING	1	SIC	φ36X45	P2469772	12	HEXAGON SOCKET BOLT	4	SUS304	M8X20
			SIC						CERAMIC		P2469183					
			SIC						CARBON		P2469773					
02-1	FRONT THRUST PAD	1	CERAMIC	φ104X9	P2224475	06	BEARING ASS'Y	1	ETFE	φ44X46.5	A2469553	11	HEXAGON SOCKET BOLT	8	SUS304	M10X100
			ETFE			05-1	RING	1	S45C	φ65X5.7	P2574346	10	O. RING	1	FKM	φ219.3Xφ5.7
01-3	COVER C	1	FC-20	φ200X64	A2154015	05	OUTER DRIVE RING	1	FCD-45	φ122X223.5	P2504344	09-2	PTFE BOARD	1	PTFE	281.8X122.9
			FC-20			04-3	IMPELLER COVER	1	ETFE	φ175X20	P2454028	09-1	PTFE BOARD	1	PTFE	278.6X122.9
01-2	COVER B	1	FC-20	φ165X40	A2144024	04-2	MOUTH RING	1	RULON	φ104X9	P2424412	09	PTFE BOARD	1	PTFE	278.6X122.9
01-1	COVER A	1	FC-20	φ264X85	A2134016	04-1	IMPELLER NOUМЕНON	1	ETFE	φ175X44	P2414022	09	PTFE BOARD	2	PTFE	L X 122.9
01	BRACKET	1	FC-20	φ264X232.2	A2124005	04	IMPELLER ASS'Y	1	ETFE		P2404142	09	PTFE BOARD	2	PTFE	L X 122.9



APPROVED		MDL. NAME	NH-657PW-C (NEMA)
CHECK	05.03.05	DWG. NAME	CONSTRUCTION DRAWING
DESIGN	01.11.02	DWG. NO.	B2674732
DR.BY	05.03.05 BECKY		A3

TPW
HONG YUAN



PAN WORLD CO., LTD.
パンワールド株式会社