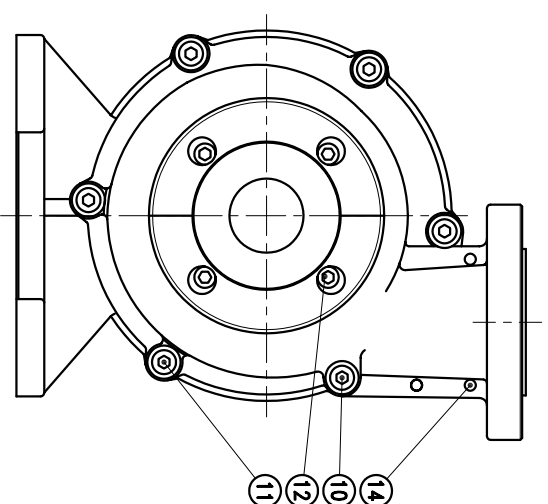
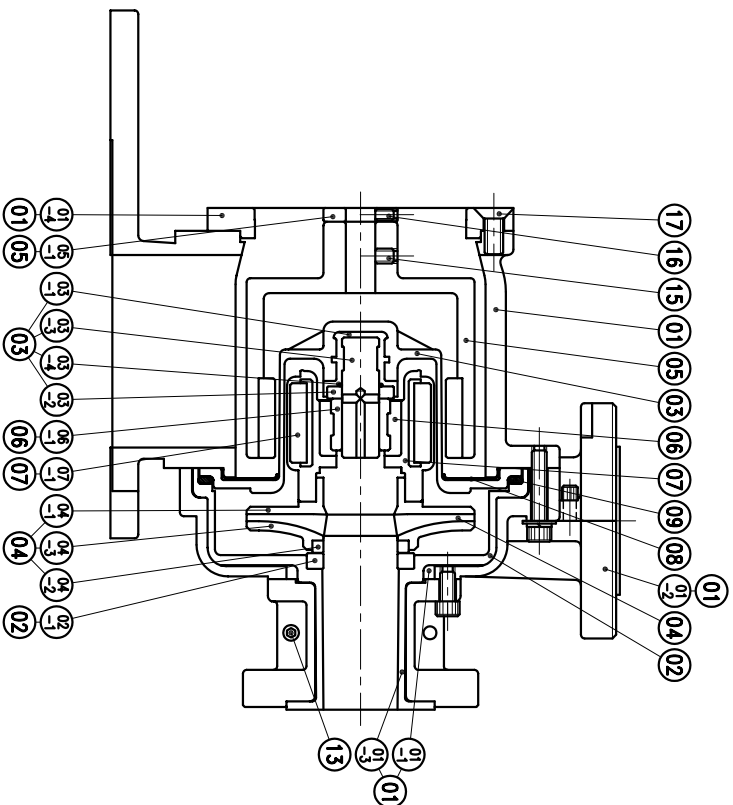


| NO | PART NAME | Q'TY | MATERIAL | NOTE | DWG. NO. | NO | PART NAME | Q'TY | MATERIAL | NOTE | DWG. NO. | NO | PART NAME | Q'TY | MATERIAL | NOTE | DWG. NO. |
|------|-------------------|------|----------|-------------|----------|------|---------------------|------|-----------|------------|----------|----|------------------------|------|----------|-------------|----------|
| 03-3 | SPINDLE | 1 | SIC | 020X65 | P2339096 | 08 | BACK UP RING | 1 | SUS304 | 0150X5.5 | P2119054 | 18 | HEXAGON SOCKET BOLT | 4 | SUS304 | 3/8"-16X1" | |
| | | | CERAMIC | | | 07-1 | INNER MAGNET | 1 | S-FERRITE | 076X47 | P2449053 | 17 | COUNTER SUNK HEAD BOLT | 4 | S435 | M8X25 | P9119137 |
| 03-2 | REAR THRUST PAD | 1 | SIC | 036X6.5 | P2329095 | 07 | INNER DRIVE RING | 1 | ETFE | 079.6X71 | P2439077 | 16 | SET SCREW | 2 | S435 | M6X10 | P9116430 |
| | | | CERAMIC | | | 06-1 | BEARING | 1 | SIC | 032X28 | P2469770 | 15 | SET SCREW | 2 | S435 | M8X10 | P9119160 |
| 03-1 | SPINDLE HOLDER | 1 | ETFE | 040X68 | P2379093 | | | | CERAMIC | | | 14 | HEXAGON SOCKET BOLT | 3 | SUS304 | M6X20 | P9119156 |
| | | | ETFE | | | | | | CARBON | | | 13 | HEXAGON SOCKET BOLT | 2 | SUS304 | M6X16 | P9119156 |
| 03 | REAR CASING | 1 | ETFE | 0174X92.5 | P2309020 | | | | RULON | | | 12 | HEXAGON SOCKET BOLT | 4 | SUS304 | M8X16 | P9119155 |
| | | | SIC | | | 06 | BEARING ASS'Y | 1 | ETFE | 044X31 | P2469076 | 13 | HEXAGON SOCKET BOLT | 2 | SUS304 | M6X16 | P9119156 |
| 02-1 | FRONT THRUST PAD | 1 | CERAMIC | 058X8.5 | P2229092 | 05-1 | RING | 1 | S45C | 040X7.5 | P2579333 | 12 | HEXAGON SOCKET BOLT | 4 | SUS304 | M8X16 | P9119155 |
| | | | ETFE | | | 05 | OUTER DRIVE RING | 1 | FCD-45 | 0123X127.5 | P2509334 | 11 | HEXAGON SOCKET BOLT | 5 | SUS304 | M8X40 | P9119155 |
| 02 | FRONT CASING | 1 | ETFE | 0181X130.5 | P2204001 | 04-3 | IMPELLER COVER | 1 | ETFE | 0124X18 | P2459052 | | | | | | |
| | | | FC-20 | | | 04-2 | MOUTH RING | 1 | RULON | 052X7 | P2429098 | | | | | | |
| 01-4 | TRANSITION FLANGE | 1 | FC-20 | 0165.1X16.4 | P2179301 | 04-1 | IMPELLER NOLU MENON | 1 | ETFE | 0124X33 | P2419051 | | | | | | |
| 01-3 | COVER C | 1 | FC-20 | 0127X69 | P2154031 | 04 | IMPELLER ASS'Y | 1 | ETFE | | P2409050 | 10 | HEXAGON SOCKET BOLT | 1 | SUS304 | M8X65 | P9119155 |
| 01-2 | COVER B | 1 | FC-20 | 0127X19 | A2144023 | | | | FKM | 019.8X02.4 | P20 | | | | | | |
| 01-1 | COVER A | 1 | FC-20 | 0193X60 | A2134033 | 03-4 | O. RING | 1 | FKM | | | 09 | O. RING | 1 | FKM | 0159.3X05.7 | G160 |
| 01 | BRACKET | 1 | FC-20 | 0193X128 | A2124010 | | | | | | | | | | | | |



| | | | |
|----------|----------------|-----------|----------------------|
| APPROVED | | MDL. NAME | NH-401PW-C (NEMA) |
| CHECK | 10.18.02 | DWG. NAME | CONSTRUCTION DRAWING |
| DESIGN | 01.11.02 | DWG. NO. | B2414568 |
| DR.BY | 10.18.02 BECKY | | A3 |

TPW
HONG YUAN



PAN WORLD CO., LTD.
パンワールド株式会社