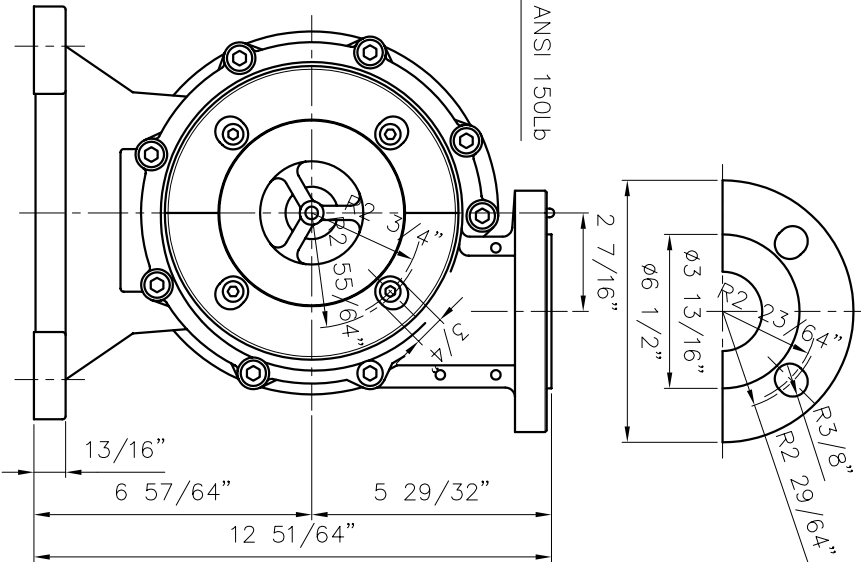
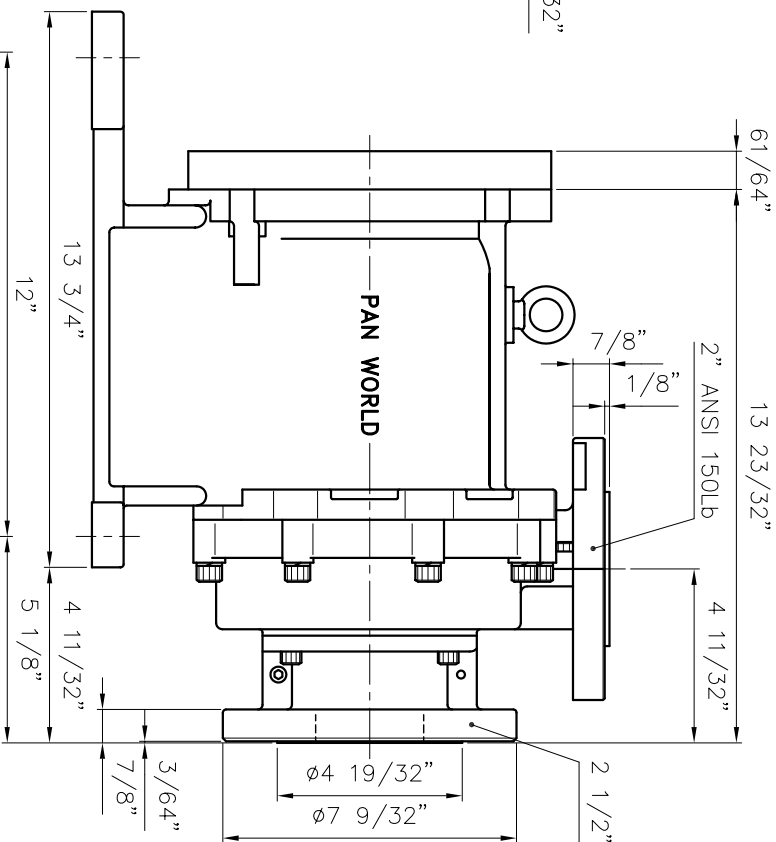
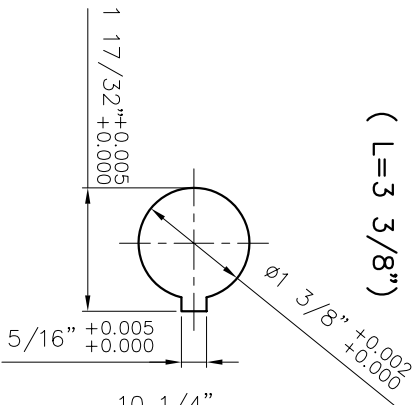


(L=3 3/8")



DIMENSION TOLERANCE : JIS 16 CLASS

APPROVED	CHECK	DESIGN	DR.BY	10 22 02 BECKY	DWG. NO.	B1574252	A3
MDL NAME	NH-507PW-C (NEMA)			DWG. NAME	INSTALLATION DRAWING		
UNIT	INCH			SCALE	3:10		
EDITION	2			TPW	HONG YUAN		



PAN WORLD CO., LTD.
パンワールド株式会社