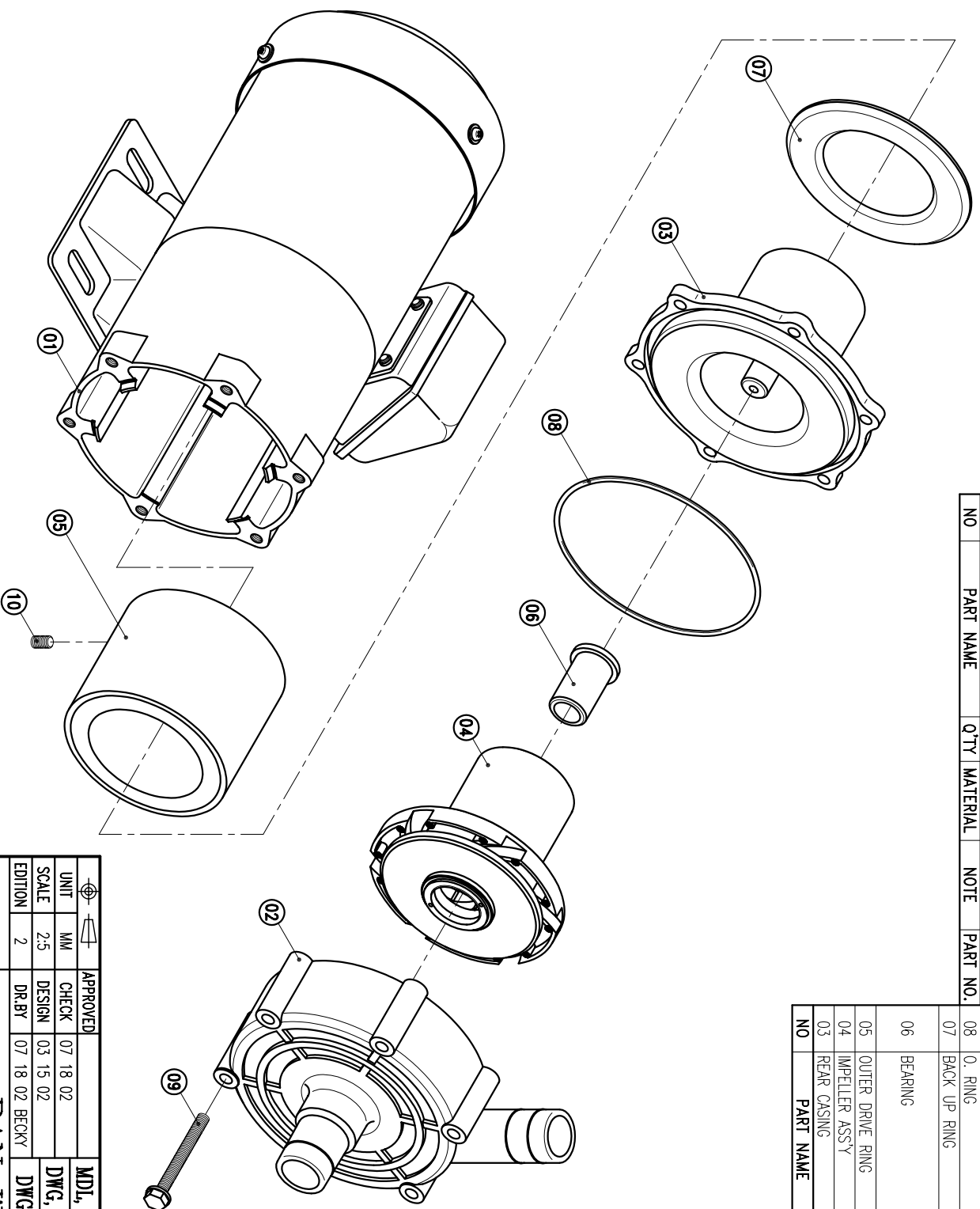


NO	PART NAME	QTY	MATERIAL	NOTE	PART NO.
01	MOTOR	1	250W, 2P, 3φ		100118300
02	FRONT CASING	1	PPG	HOSE THREAD	1001005100 1001006100
03					
04					
05					
06					
07					
08					
09					
10					

10	SET SCREW	2	S435	M6X10	
09	HEXAGON HEAD BOLT w/t PLAIN WASHER	6	SUS304	M6X55	
08	O. RING	1	FKM	G110	1001001300
07	BACK UP RING	1	SUS304	φ98X4.5	1001008600
06	BEARING	1	CERAMIC CARBON	φ25X35	
05	OUTER DRIVE RING	1	ADC-12	φ86X86	1001000900
04	IMPELLER ASS'Y	1	PPG		1003411800
03	REAR CASING	1	PPS	φ123.5X75	1001000500



HOSE: 26mm X 26mm
 G : 1" X 1"
 NPT : 1" X 1"

UNIT	MM	CHECK	07 18 02	APPROVED	MDL NAME	NH-250PS-3
SCALE	2.5	DESIGN	03 15 02		DWG. NAME	DECOMPOSITION DRAWING
EDITION	2	DR.BY	07 18 02 BECKY		DWG. NO.	B3252143
						A3

TPW
 HONG YUAN

PAN WORLD CO., LTD.
 パンワールド株式会社