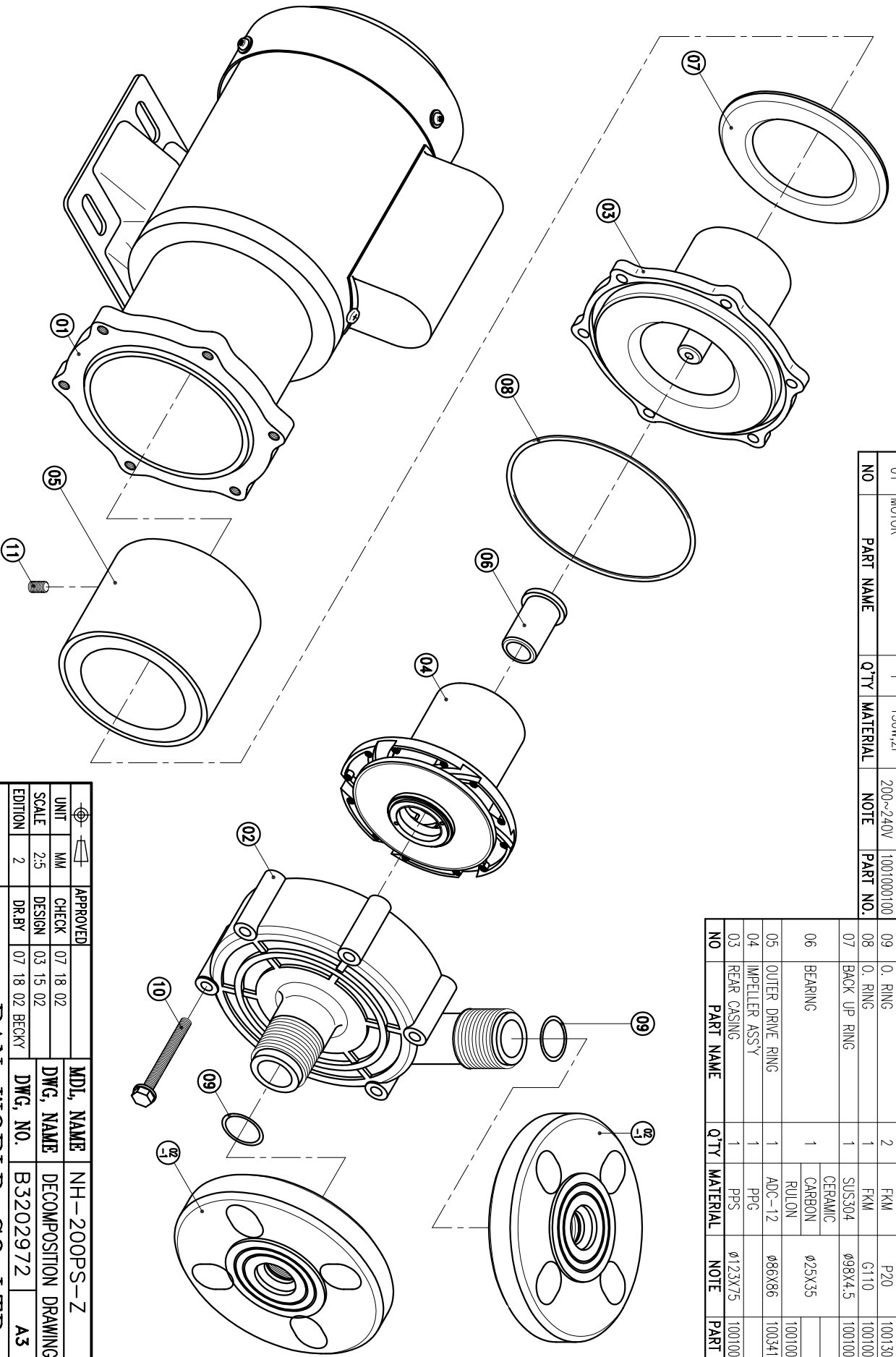


NO	PART NAME	QTY	MATERIAL	NOTE	PART NO.
02-1	FLANGE	2	PPG	25A	1001007100
02	FRONT CASING	1	PPG	φ123.5X87.5	1001006100
01	MOTOR	1	150W,2P	100~120V 200~240V	1001098100 1001000100

11	SET SCREW	2	S435	M6X10	
10	HEXAGON HEAD BOLT w/t PLAIN WASHER	6	SUS304	M6X55	
09	O. RING	2	FKM	P20	1001301300
08	O. RING	1	FKM	G110	1001001300
07	BACK UP RING	1	SUS304	φ98X4.5	1001008600
06	BEARING	1	CERAMIC CARBON RULON	φ25X35	1001000900
05	OUTER DRIVE RING	1	ADC-12	φ66X86	1003411800
04	IMPELLER ASS'Y	1	PPG		
03	REAR CASING	1	PPS	φ123X75	1001000500



UNIT	MM	APPROVED	CHECK	07 18 02	MDL NAME	NH-200PS-Z
SCALE	2.5	DESIGN	03 15 02	DWG. NAME	DECOMPOSITION DRAWING	
EDITION	2	DRBY	07 18 02 BECKY	DWG. NO.	B3202972	A3

TPW
HONG YUAN

PAN WORLD CO.,LTD.
パンワールド株式会社