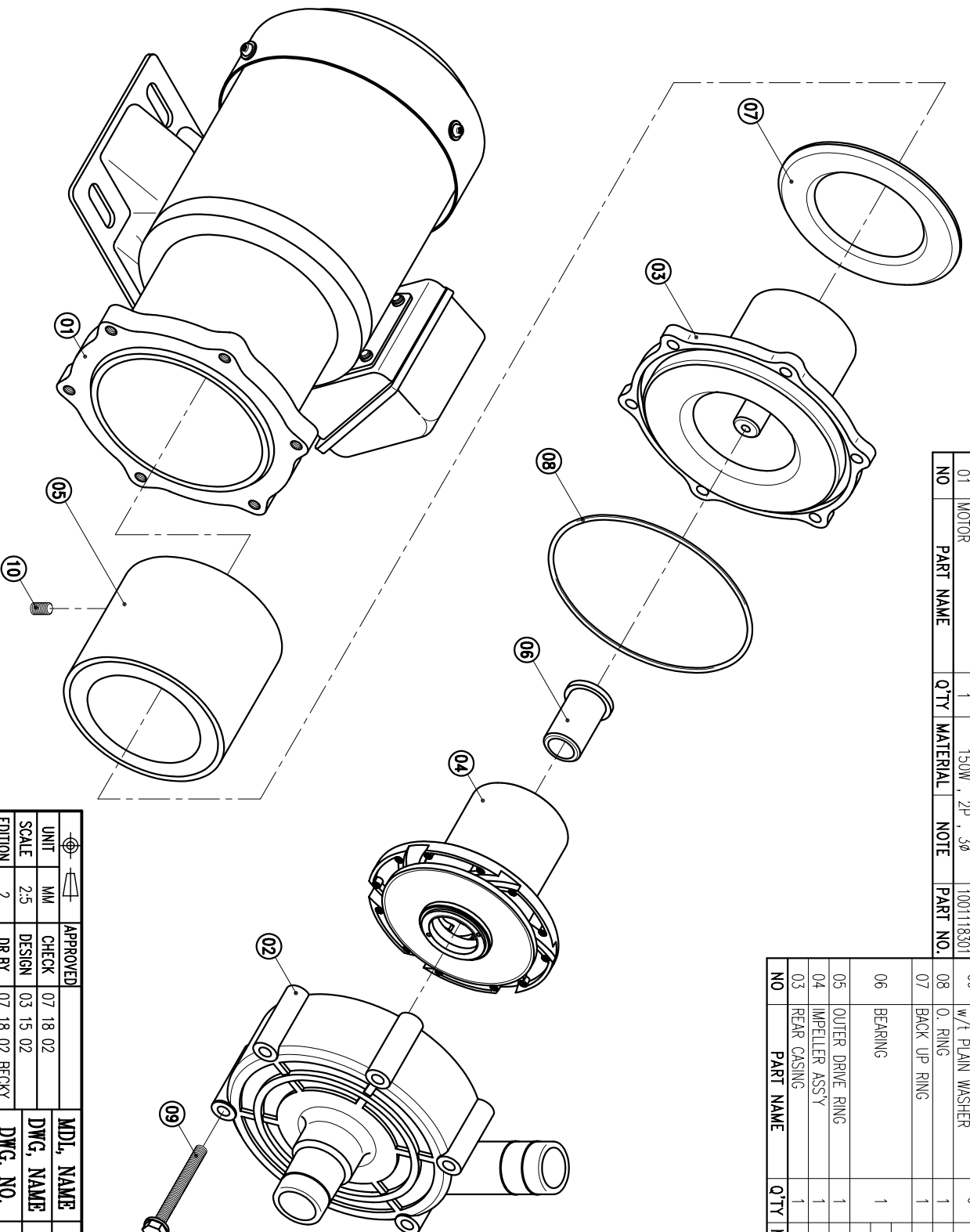


NO	PART NAME	QTY	MATERIAL	NOTE	PART NO.
02	FRONT CASING	1	PPG	HOSE THREAD	1001005100 1001006100
01	MOTOR	1	150W , 2P , 3Φ		1001118301

10	SET SCREW	2	S435	M6X10	
09	HEXAGON HEAD BOLT w/t PLAIN WASHER	6	SUS304	M6X55	
08	O. RING	1	FKM	G110	1001001300
07	BACK UP RING	1	SUS304	φ98X4.5	1001008600
06	BEARING	1	CERAMIC CARBON	φ25X35	
05	OUTER DRIVE RING	1	ADC-12 RULON	φ86X86	1001000900 1003411800
04	IMPELLER ASS'Y	1	PPG		
03	REAR CASING	1	PPS	φ123.5X75	1001000500



HOSE: 26mm X 26mm  
G : 1" X 1"  
NPT : 1" X 1"

APPROVED	CHECK	DESIGN	DR.BY	MDL. NAME	DWG. NAME	DECOMPOSITION DRAWING	DWG. NO.	A3
	07 18 02	03 15 02	07 18 02 BECKY	NH-200PS-Z-3			B3202140	

TPW  
HONG YUAN



PAN WORLD CO., LTD.  
パンワールド株式会社