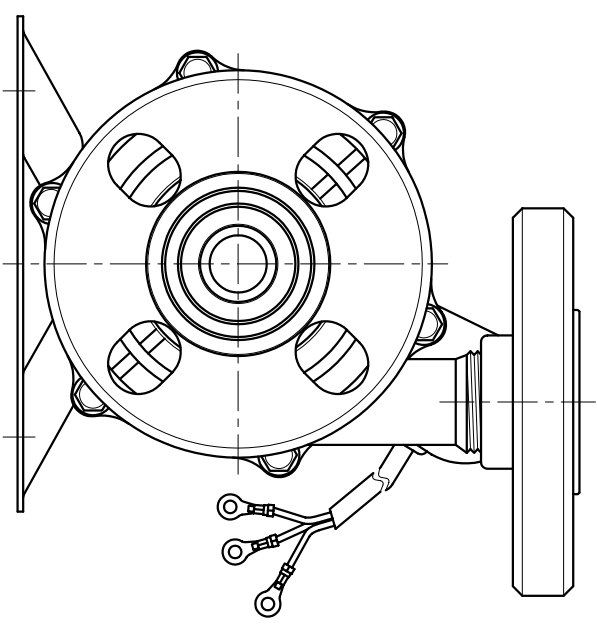
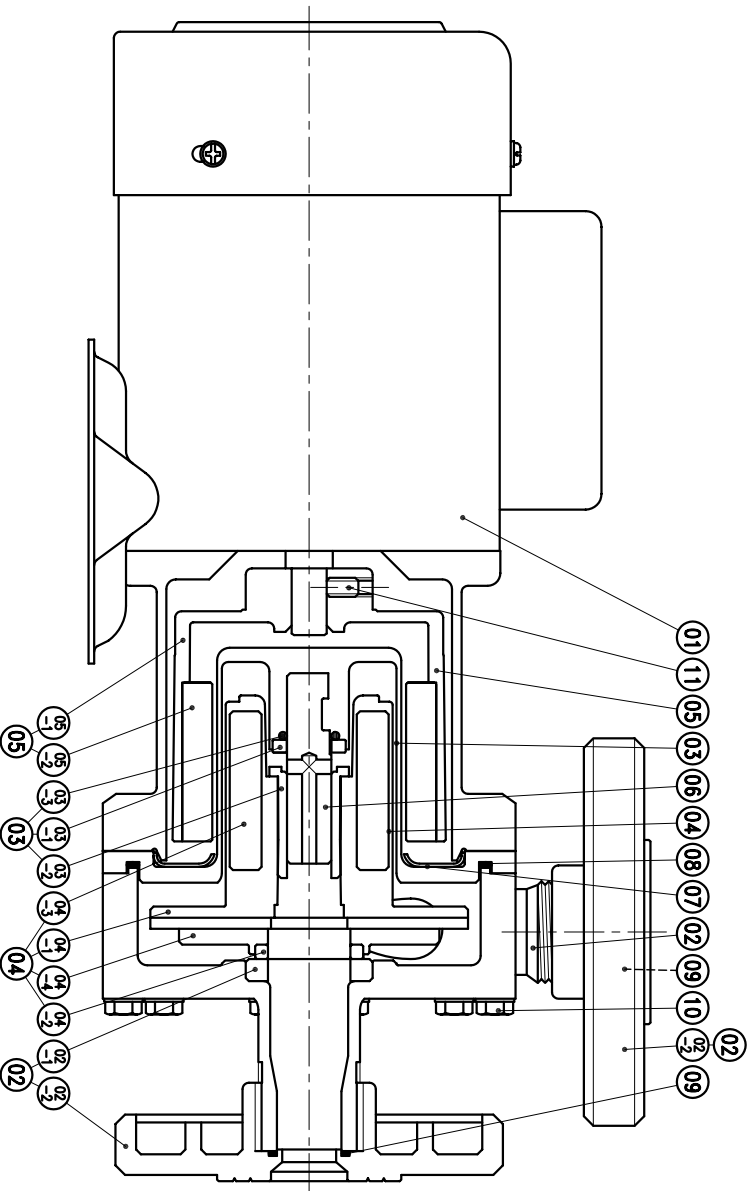


| NO | PART NAME | QTY | MATERIAL | NOTE | DWG. NO. | NO | PART NAME | QTY | MATERIAL | NOTE | DWG. NO. |
|------|------------------|-----|----------|--------------------|----------|------|--|-----|----------------------------|-------------|----------------------------------|
| 03-3 | O. RING | 1 | FKM | φ13.8xφ2.4 | P14 | 05-2 | OUTER MAGNET | 1 | FERRITE | φ80X30 | P2522116 |
| 03-2 | SPINDLE | 1 | CERAMIC | φ14x60 | P2332110 | 06-1 | MAGNET HOUSING | 1 | ADC-12 | φ68X86 | P2512114 |
| 03-1 | REAR THRUST PAD | 1 | CERAMIC | φ23x4 | P2322109 | 05 | OUTER DRIVE RING | 1 | | φ66X86 | P2509064 |
| 03 | REAR CASING | 1 | PPS | φ123.5x75 | A2302131 | 04-4 | IMPELLER COVER | 1 | PPG | φ100X20 | P2452117 |
| 02-2 | FLANGE | 2 | PPG | 25A | P2232756 | 04-3 | INNER MAGNET | 1 | FERRITE | φ50X50 | P2442113 |
| 02-1 | FRONT THRUST PAD | 1 | CERAMIC | φ40x7 | P2222106 | 04-2 | MOUTH RING | 1 | RUION | φ34x5 | P2422112 |
| 02 | FRONT CASING | 1 | PPG | φ123.5x87.5 | P2202061 | 04-1 | IMPELLER VANE | 1 | PPG | φ100X76.5 | P2412111 |
| 01 | MOTOR | 1 | 150W, 2P | 100~120V, 200~240V | | 04 | IMPELLER ASS'Y | 1 | PPG | | P2402063 |
| | | | | | | 11 | SET SCREW | 2 | S435 | M6X10 | P9116430 |
| | | | | | | 10 | HEXAGON HEAD BOLT w/L P.W (φ11.5xφ6.4x11.6) | 6 | SUS304 | M6X55 | P9119009 |
| | | | | | | 09 | O. RING | 2 | FKM | φ19.8xφ2.4 | P20 |
| | | | | | | 08 | O. RING | 1 | FKM | φ109.4xφ3.1 | G110 |
| | | | | | | 07 | BACK UP RING | 1 | SUS304 | φ98X4.5 | P2112067 |
| | | | | | | 06 | BEARING | 1 | CERAMIC CARBON RUION | φ25X35 | P2462956 A2462117 P2462065 |



| | | |
|----------------|-----------|----------------------|
| APPROVED | MDL NAME | NH-200PS-Z |
| CHECK | DWG. NAME | CONSTRUCTION DRAWING |
| DESIGN | DWG. NO. | B2202464 |
| DR.BY | EDITION | A3 |
| 07 03 02 BECKY | 2 | |

TPW
HONG YUAN

PAN WORLD CO., LTD.
パンワールド株式会社