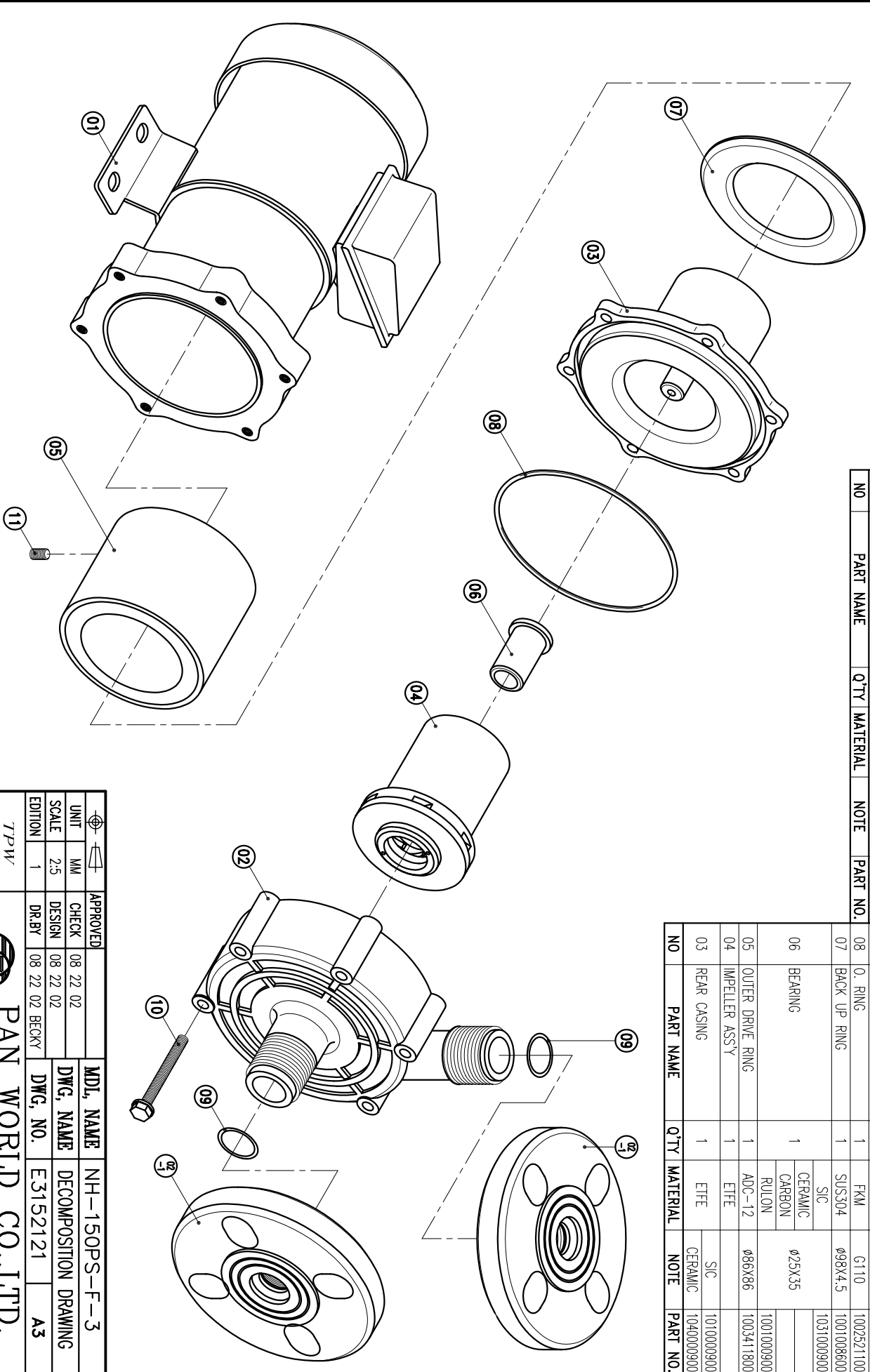


NO	PART NAME	QTY	MATERIAL	NOTE	PART NO.
02-1	FLANGE	2	ETFE	25A	1002928100
02	FRONT CASING	1	ETFE	SIC	1002926190
				CERAMIC	1002926100
01	MOTOR	1	90W , 2P , 3φ		

11	SET SCREW	2	S435	M6X10	
10	HEXAGON HEAD BOLT w/PLAIN WASHER	6	SUS304	M6X55	
09	O. RING	2	FKM	P20	
08	O. RING	1	FKM	G110	1002921100
07	BACK UP RING	1	SUS304	φ98X4.5	1001009800
			SIC		1031000900
06	BEARING	1	CERAMIC CARBON RULON	φ25X35	
05	OUTER DRIVE RING	1	ADC-12	φ86X86	1001000900
04	IMPELLER ASS'Y	1	ETFE		1003411800
03	REAR CASING	1	ETFE	SIC	1010000900
				CERAMIC	1040000900



APPROVED	CHECK	DESIGN	DR.BY	MDL. NAME	DWG. NAME	DECOMPOSITION	DRAWING
08 22 02	08 22 02	08 22 02	08 22 02 BECKY	NH-150PS-F-3			
					DWG. NO.	E3152121	A3

TPW  
 HONG YUAN  
  
**PAN WORLD CO., LTD.**  
**パンワールド株式会社**