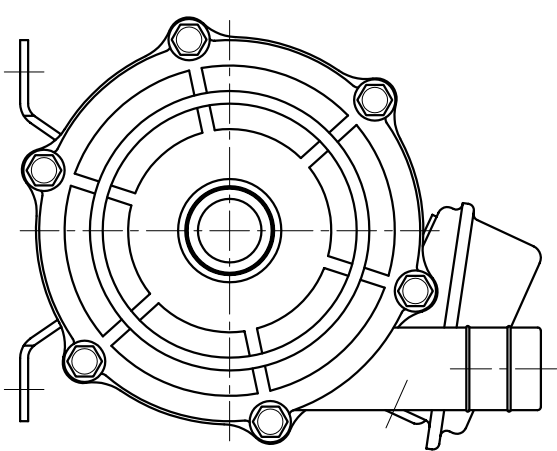
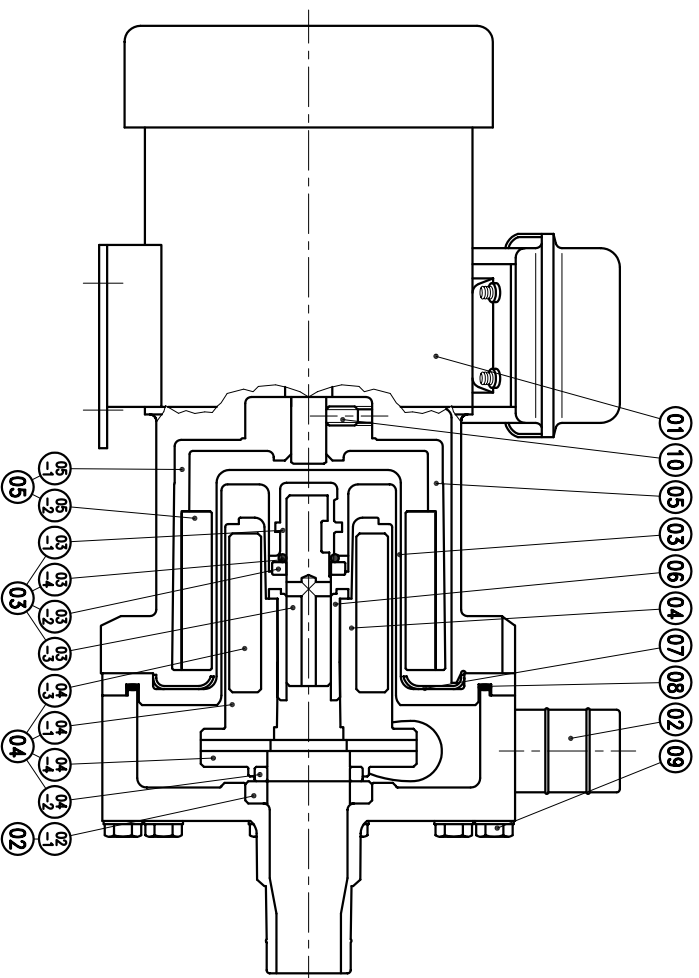


03-2	REAR THRUST PAD	1	SIC	φ23X4	P2322109	04-4	IMPELLER COVER	1	ETFE	φ100X20	P2452117	10	SET SCREW	2	S435	M6X10	P9116430
03-1	SPINDLE HOLDER	1	CERAMIC			04-3	INNER MAGNET	1	FERRITE	φ50X50	P2442113	09	HEXAGON HEAD BOLT	6	SUS304	M6X55	P9119009
03	REAR CASING	1	ETFE	φ25X64	A2376356	04-2	MOUTH RING	1	RUON	φ34X5	P2422112	08	w/L P.W (φ11.5Xφ6.4X1.6)	1	FKW	φ109.4Xφ3.1	G110
02-1	FRONT THRUST PAD	1	ETFE	φ123.5X74	P2302062	04-1	IMPELLER VANE	1	ETFE	φ100X76.5	P2412111	07	O. RING	1	SUS304	φ98X4.5	P2112067
02	FRONT CASING	1	SIC	φ40X7	P2222106	04	IMPELLER ASS'Y	1	ETFE		P2402063	06	BACK UP RING	1	SUS304	φ98X4.5	P2112067
01	MOTOR	1	CERAMIC			03-4	O. RING	1	TEFLON	φ13.8Xφ2.4	P14	BEARING	1	SIC	φ25X35		
			ETFE	φ123.5X87.5	P2202061	03-3	SPINDLE	1	SIC			05-2	OUTER MAGNET	1	CERAMIC	φ25X35	
			90W, 2P 3φ 200/400V/220/380V						CERAMIC	φ14X60	P2332110	05-1	MAGNET HOUSING	1	FERRITE	φ80X50	P2512114
												05	OUTER DRIVE RING	1	ADC-12	φ86X86	P2509064

NO	PART NAME	QTY	MATERIAL	NOTE	DWG. NO.
05	OUTER DRIVE RING	1		φ86X86	P2509064



G : 1"X 1"  
NPT : 1"X 1"

APPROVED	CHECK	08 22 02	MDL NAME	NH-150PS-F-3
SCALE	DESIGN	08 22 02	DWG. NAME	CONSTRUCTION DRAWING
EDITION	DR.BY	08 22 02 BECKY	DWG. NO.	E2152115
				A3

TPW  
HONG YUAN



PAN WORLD CO., LTD.  
PANワールド株式会社